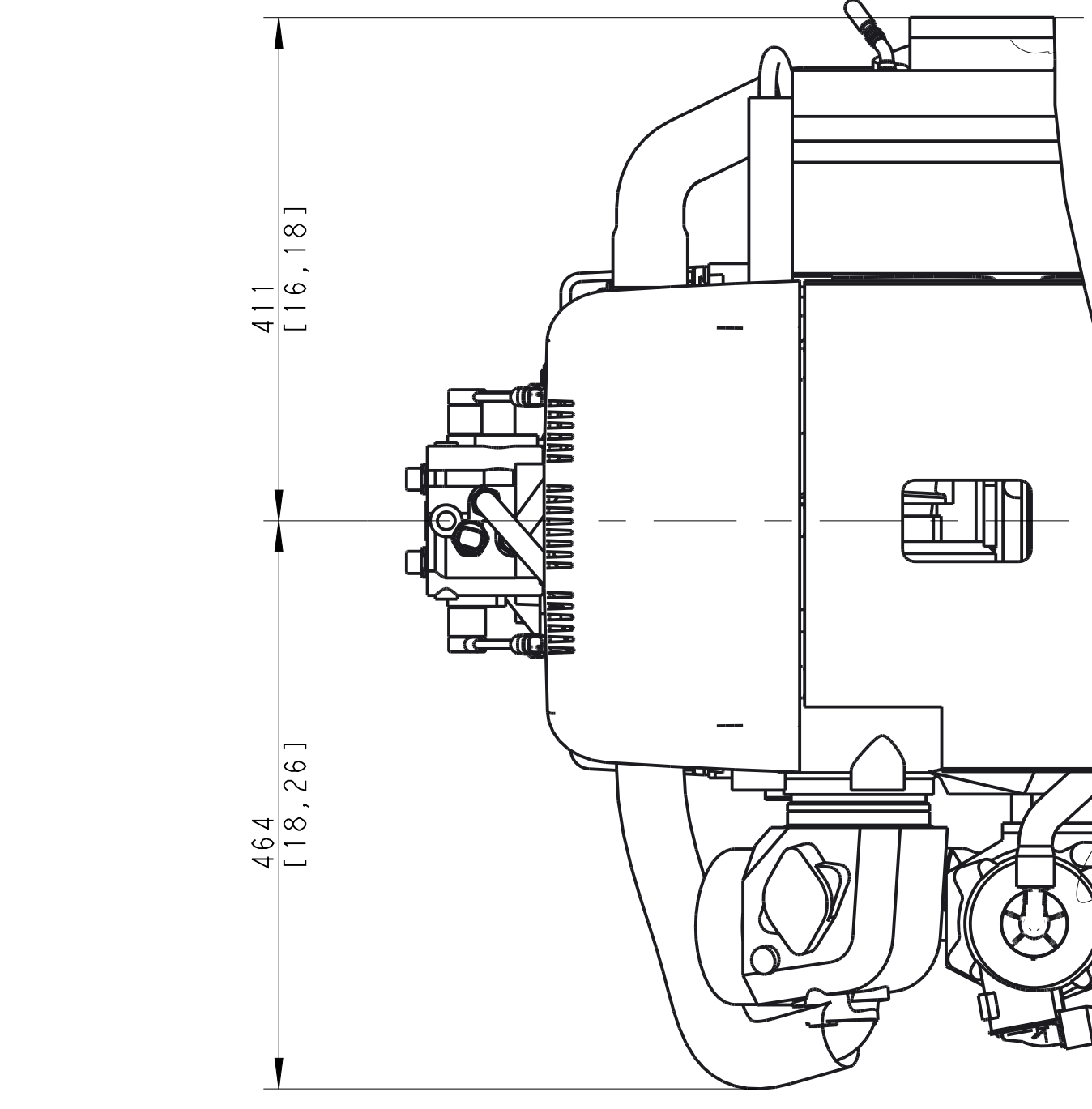
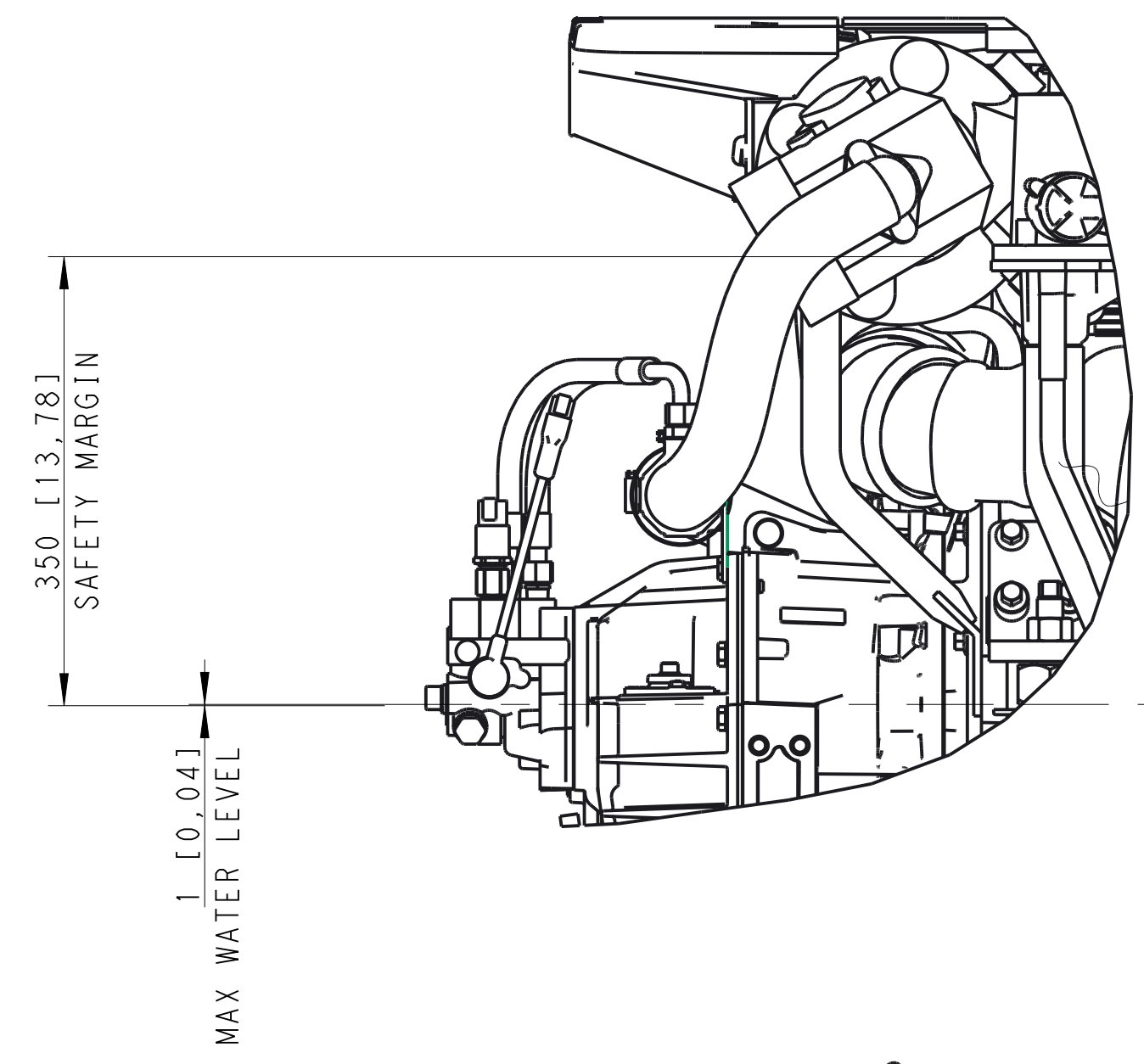
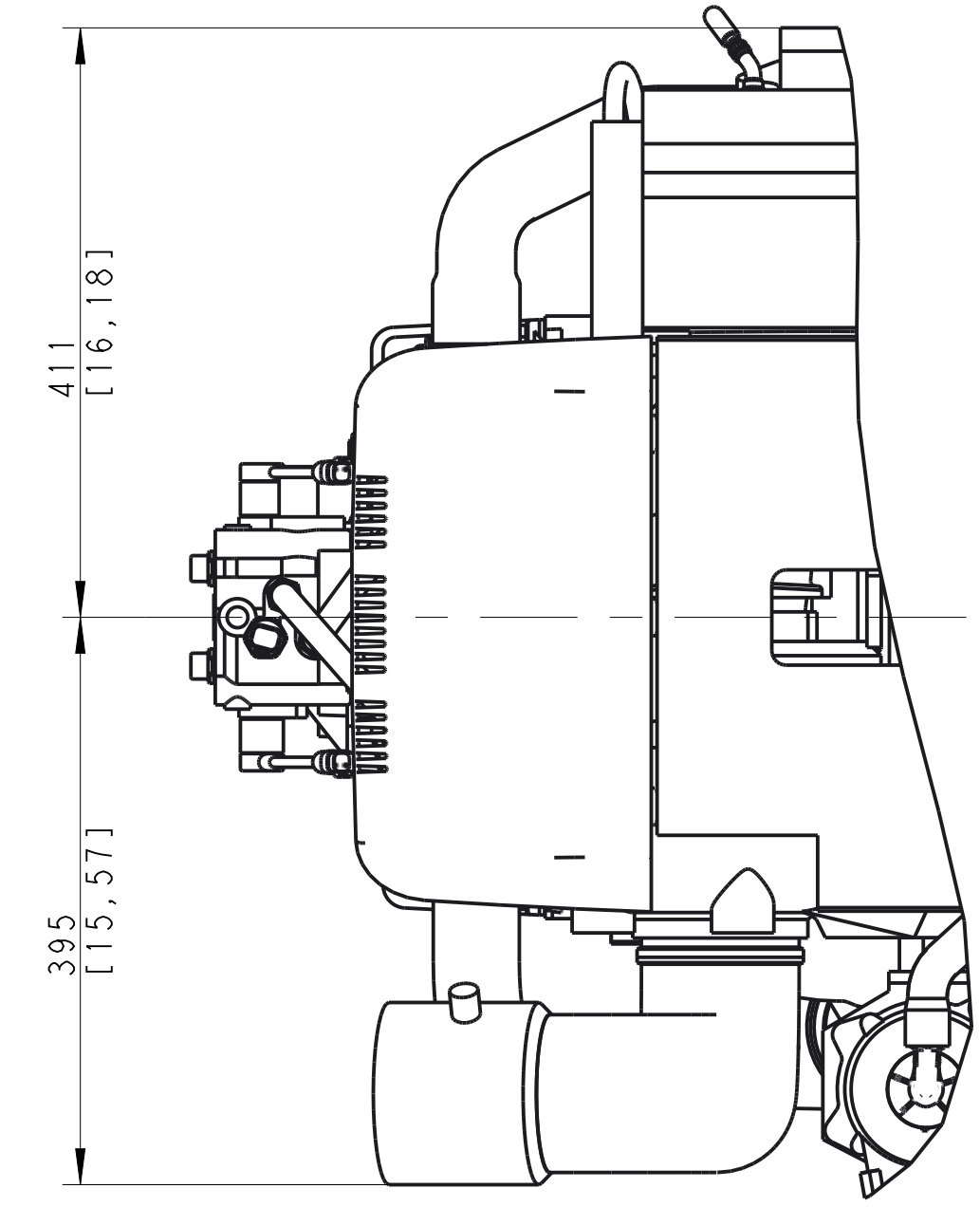
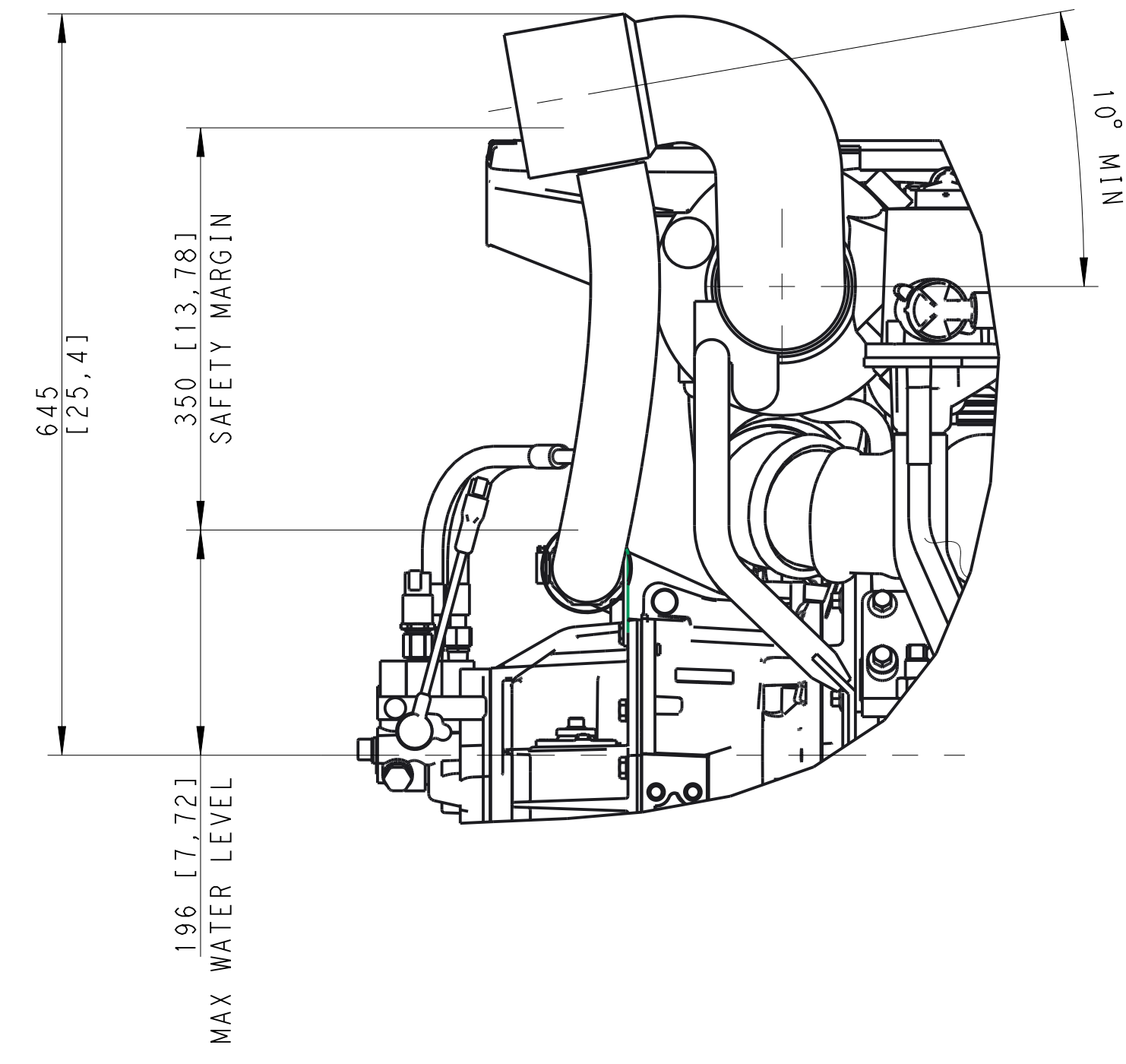


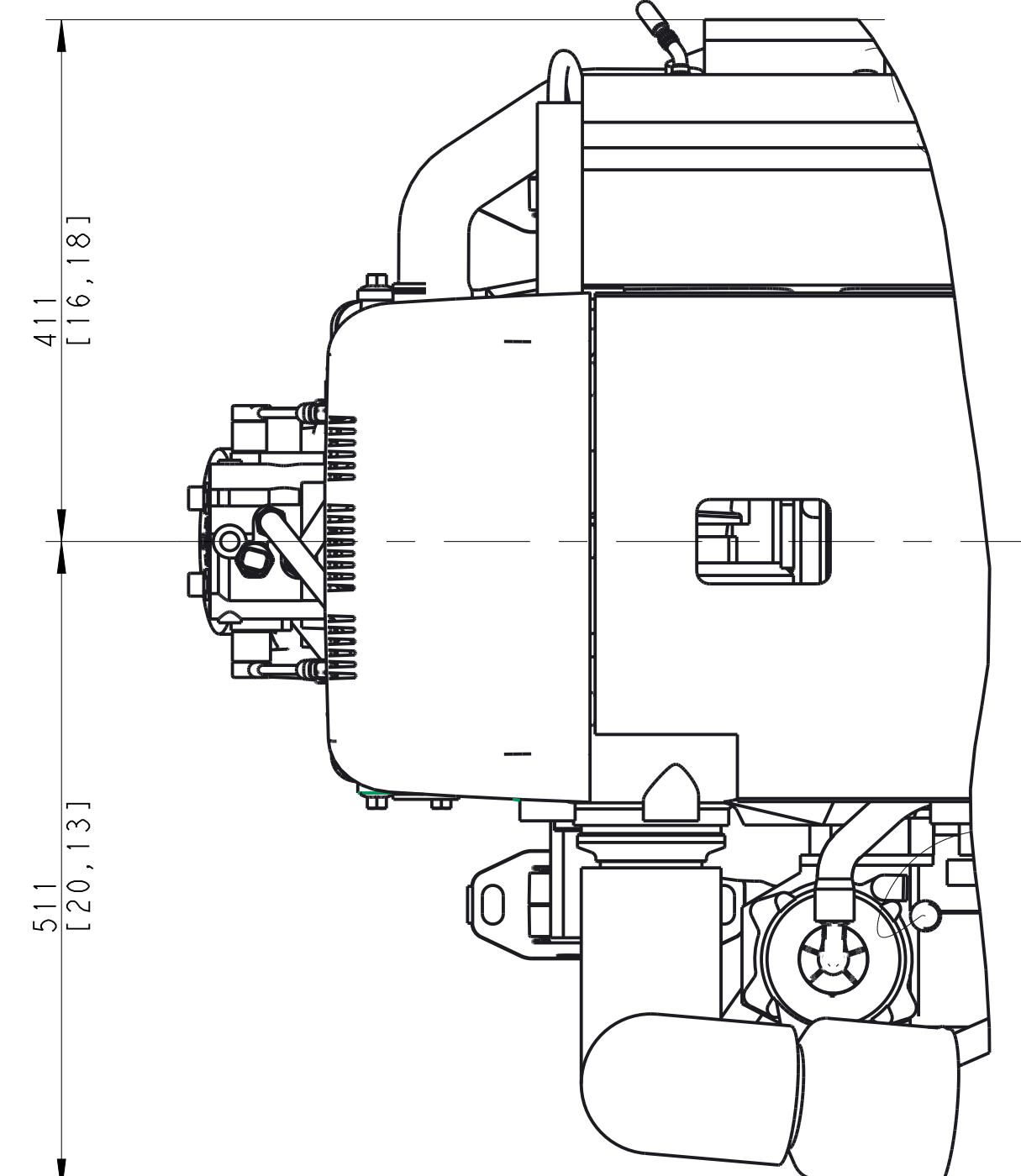
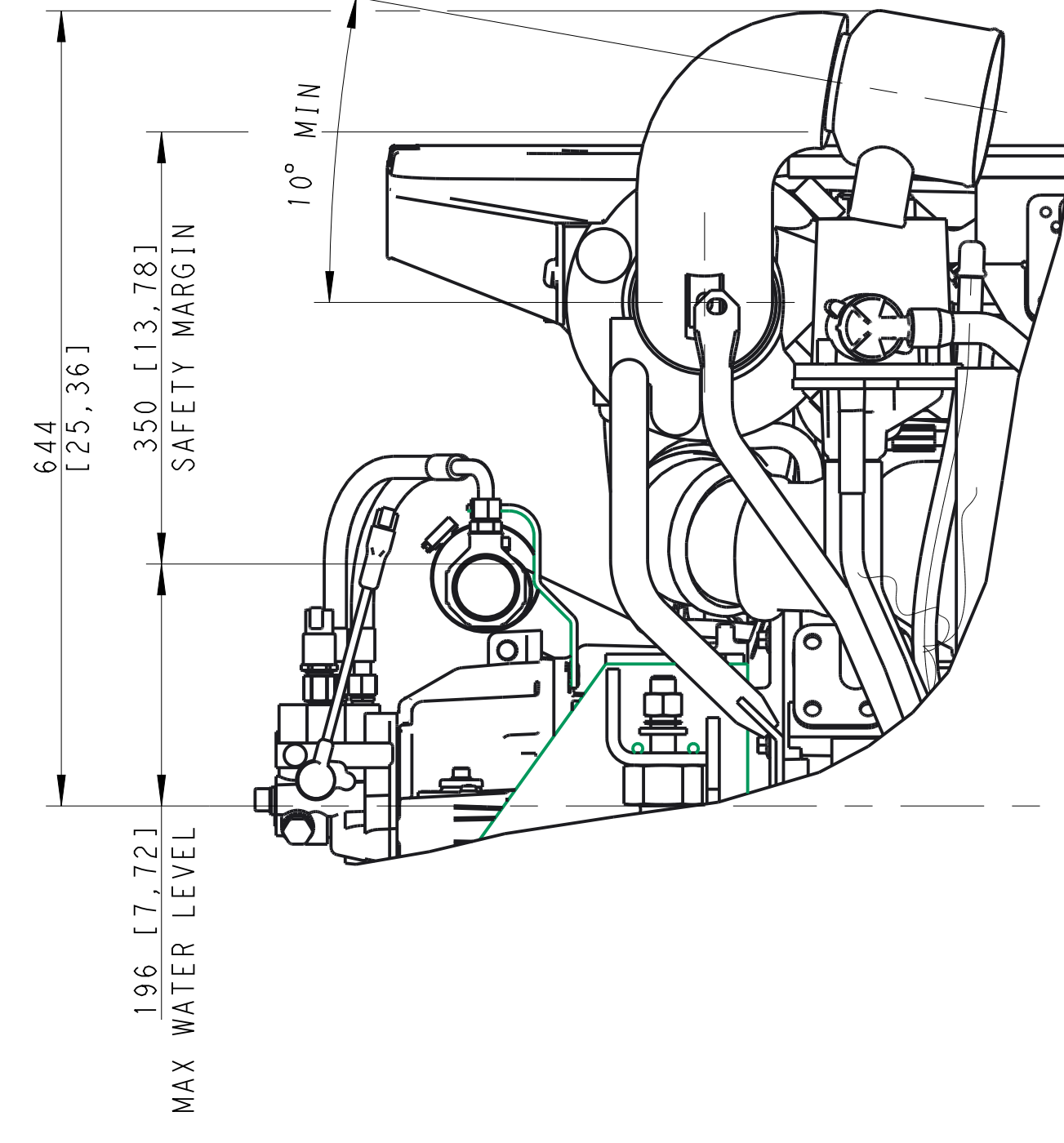
D6-440 TO D6-480
HS85A, STD EXHAUST BEND



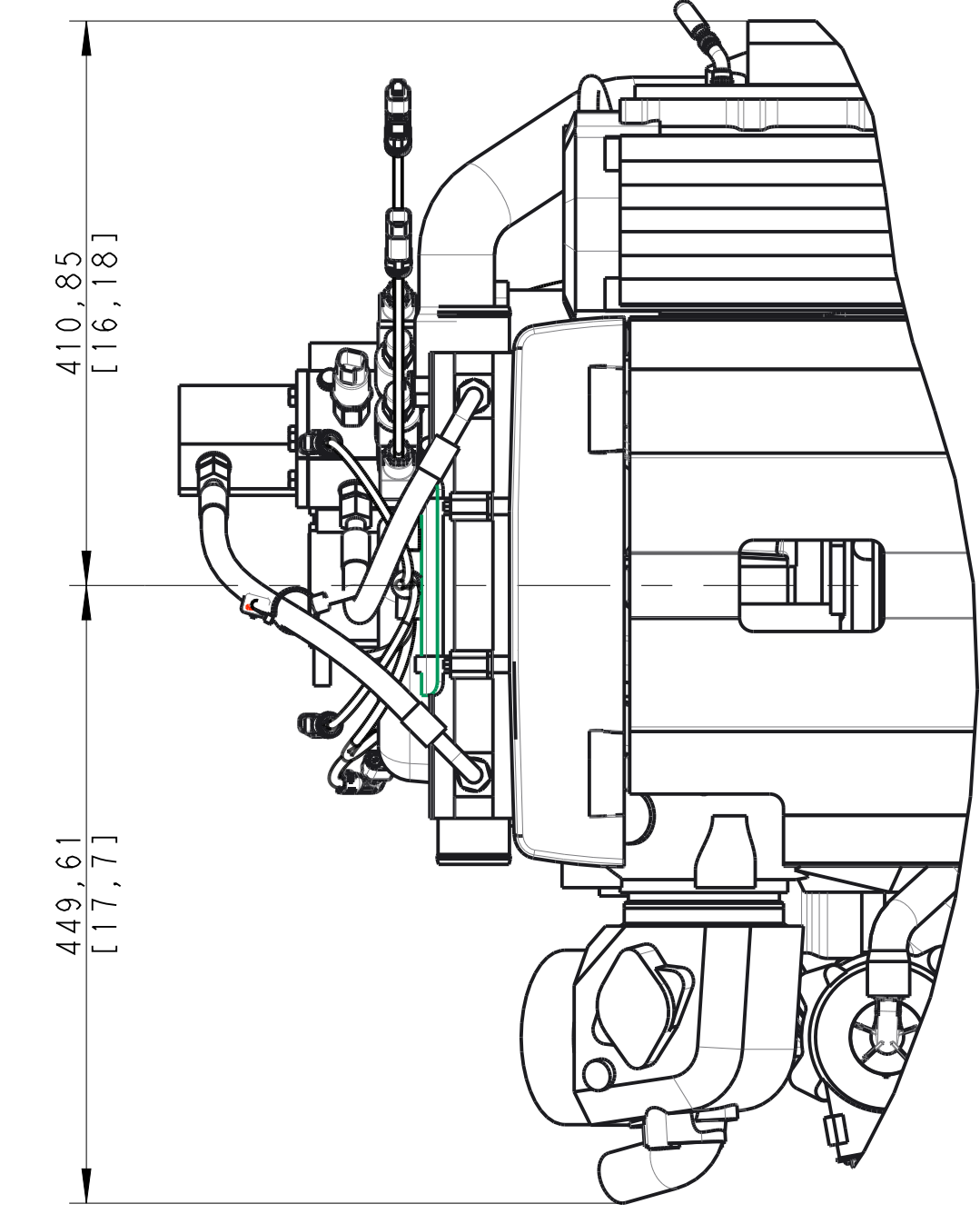
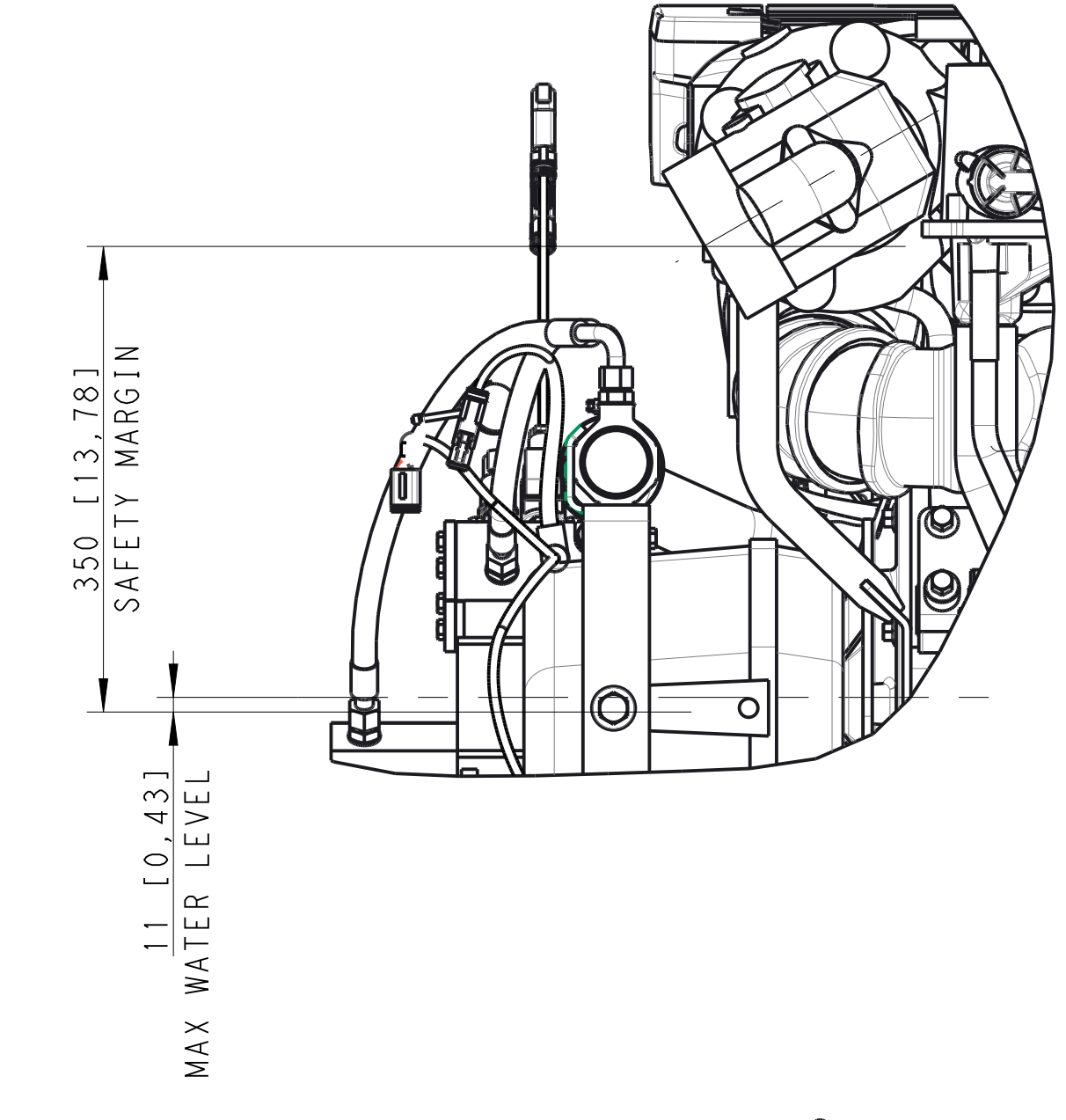
D6-440 TO D6-480
HS85A, RISER



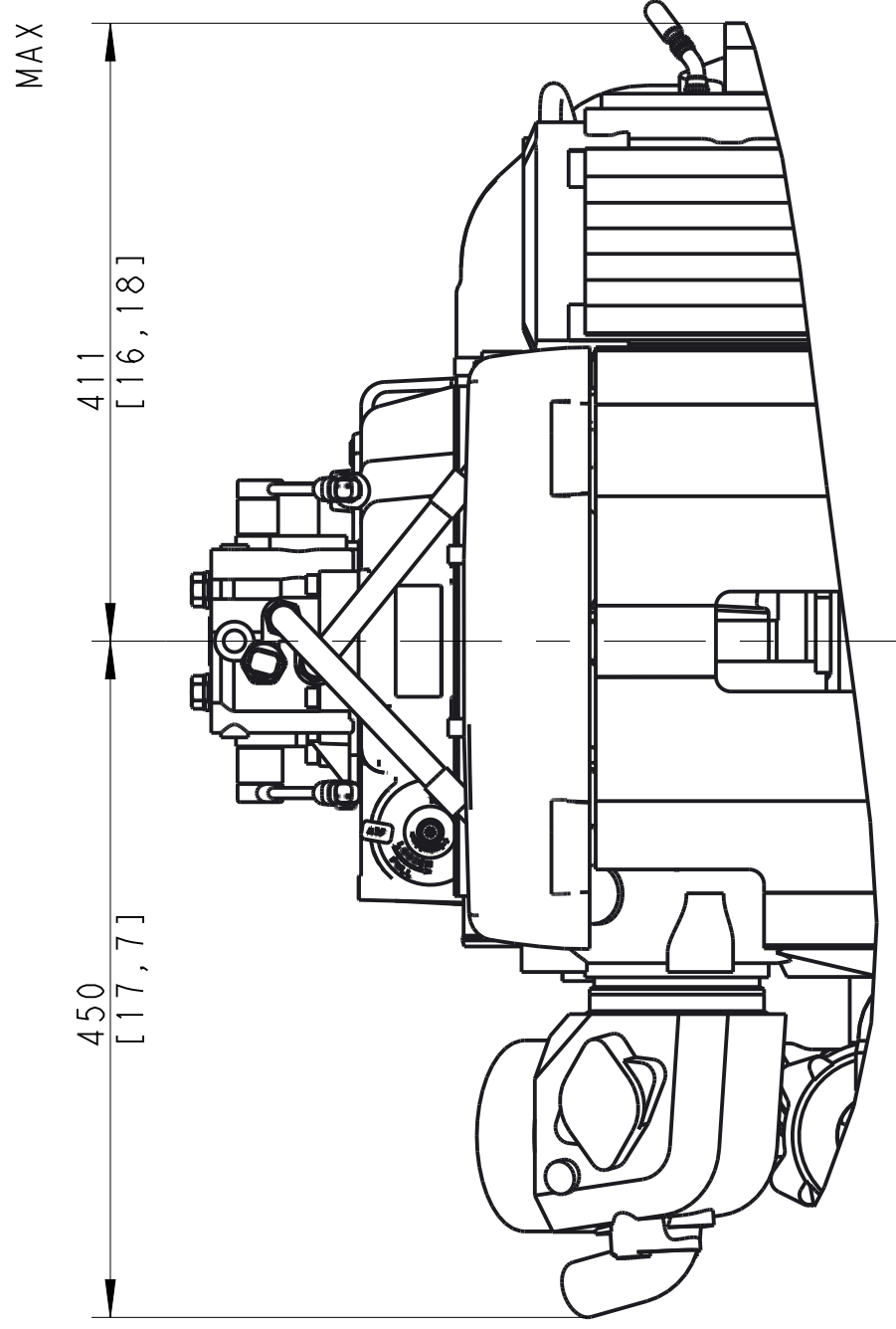
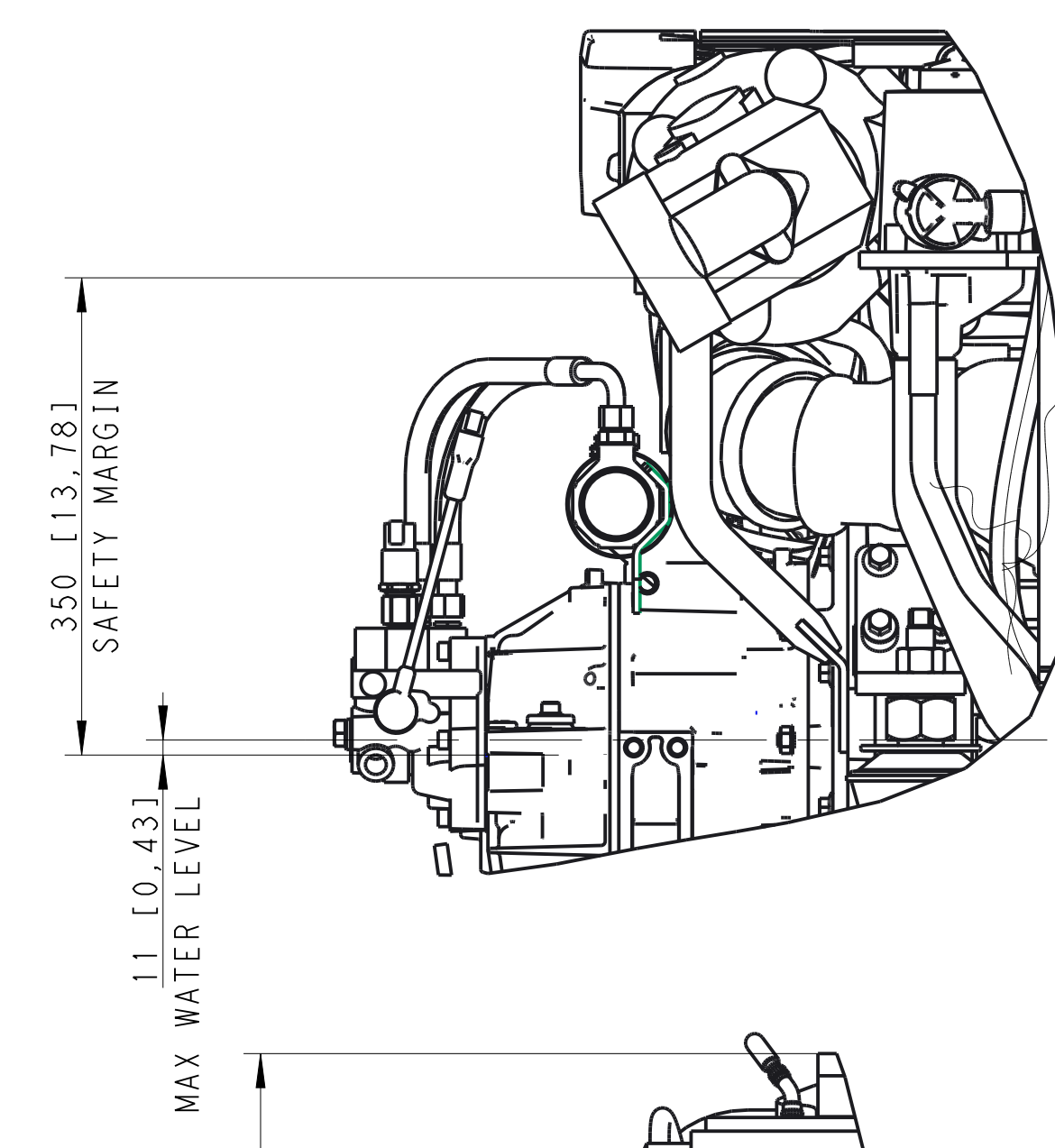
D6-440 TO D6-480
HS85IV, RISER



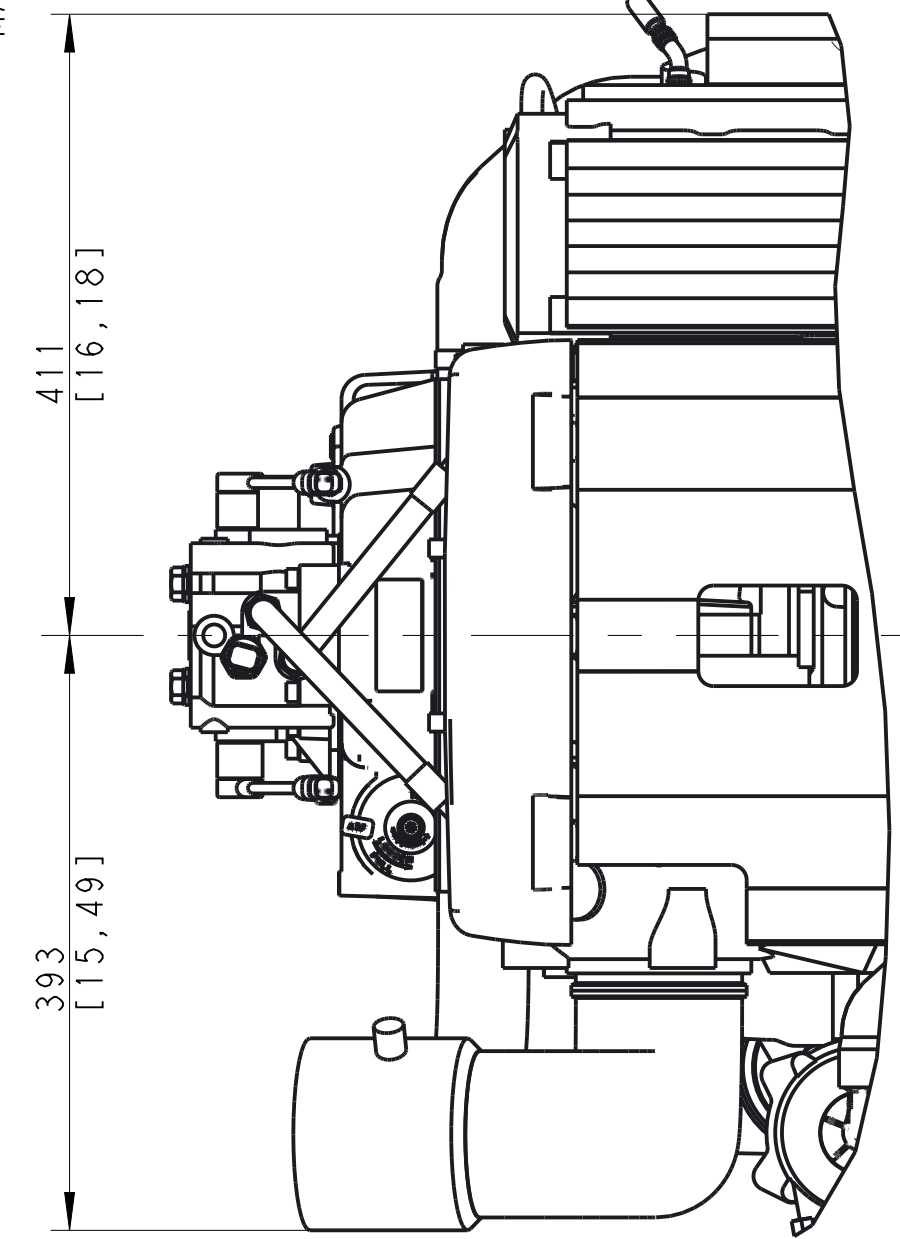
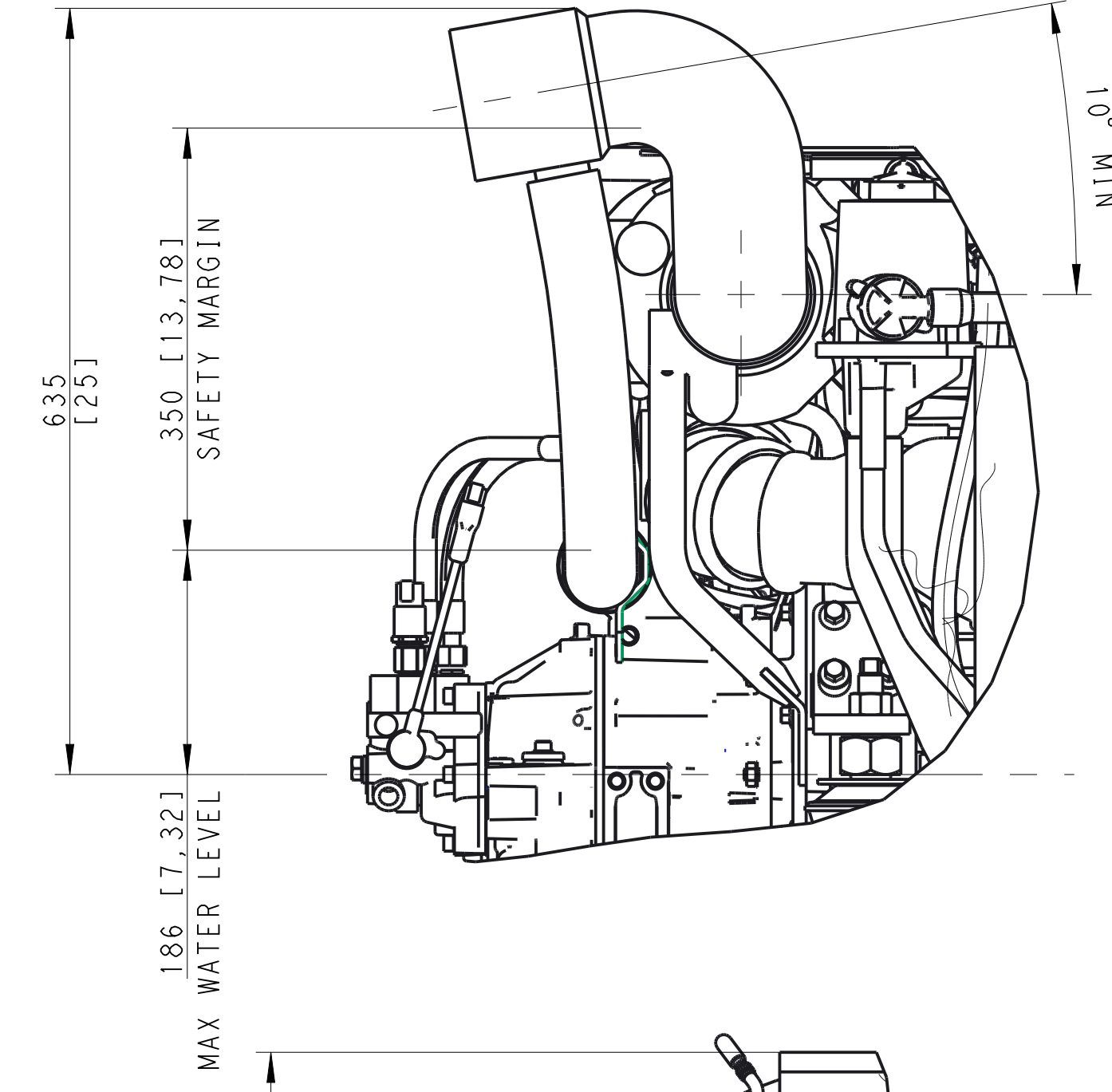
D4 AND D6 UP TO D6-380
ZF GEARBOXES, STD EXHAUST BEND



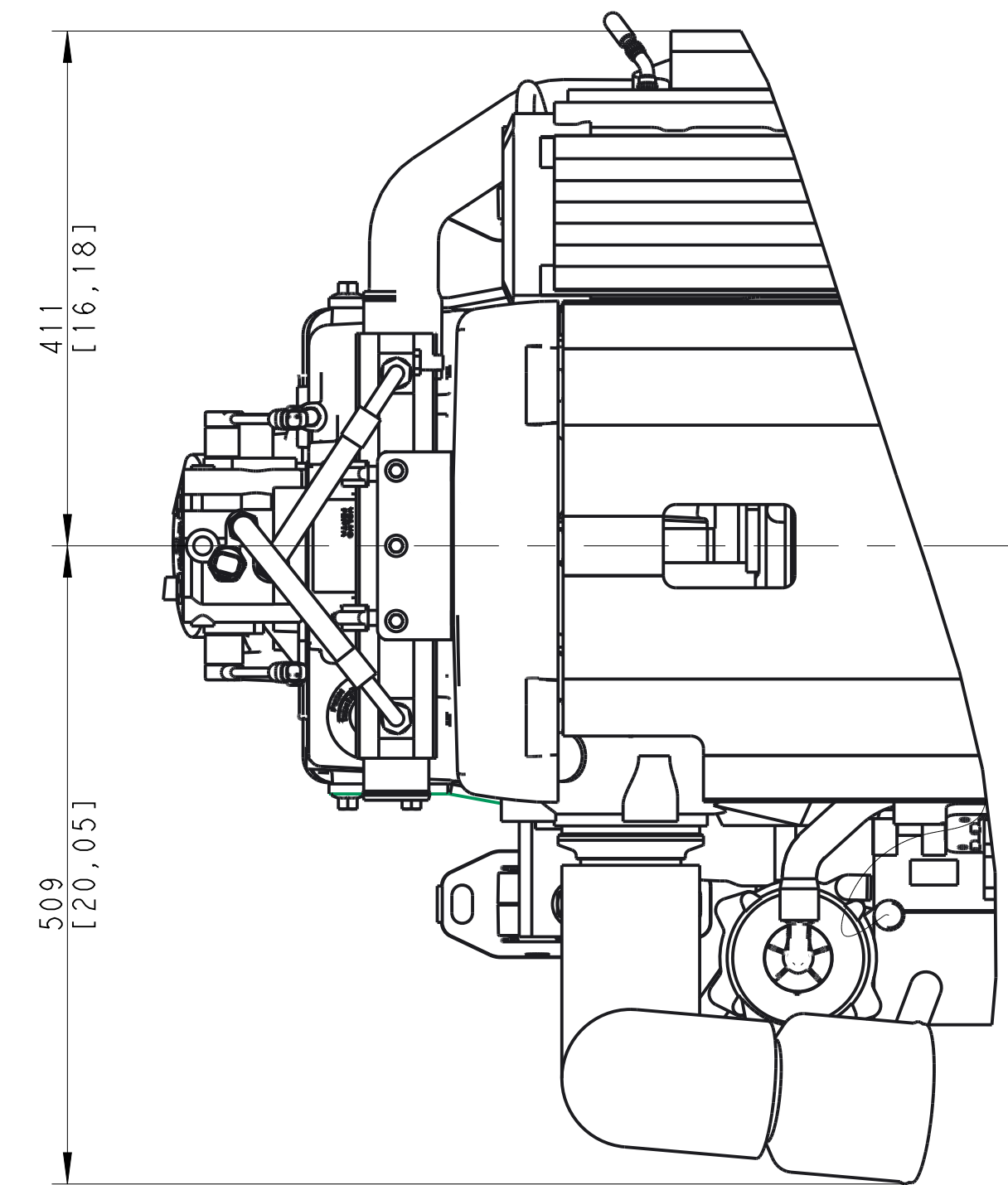
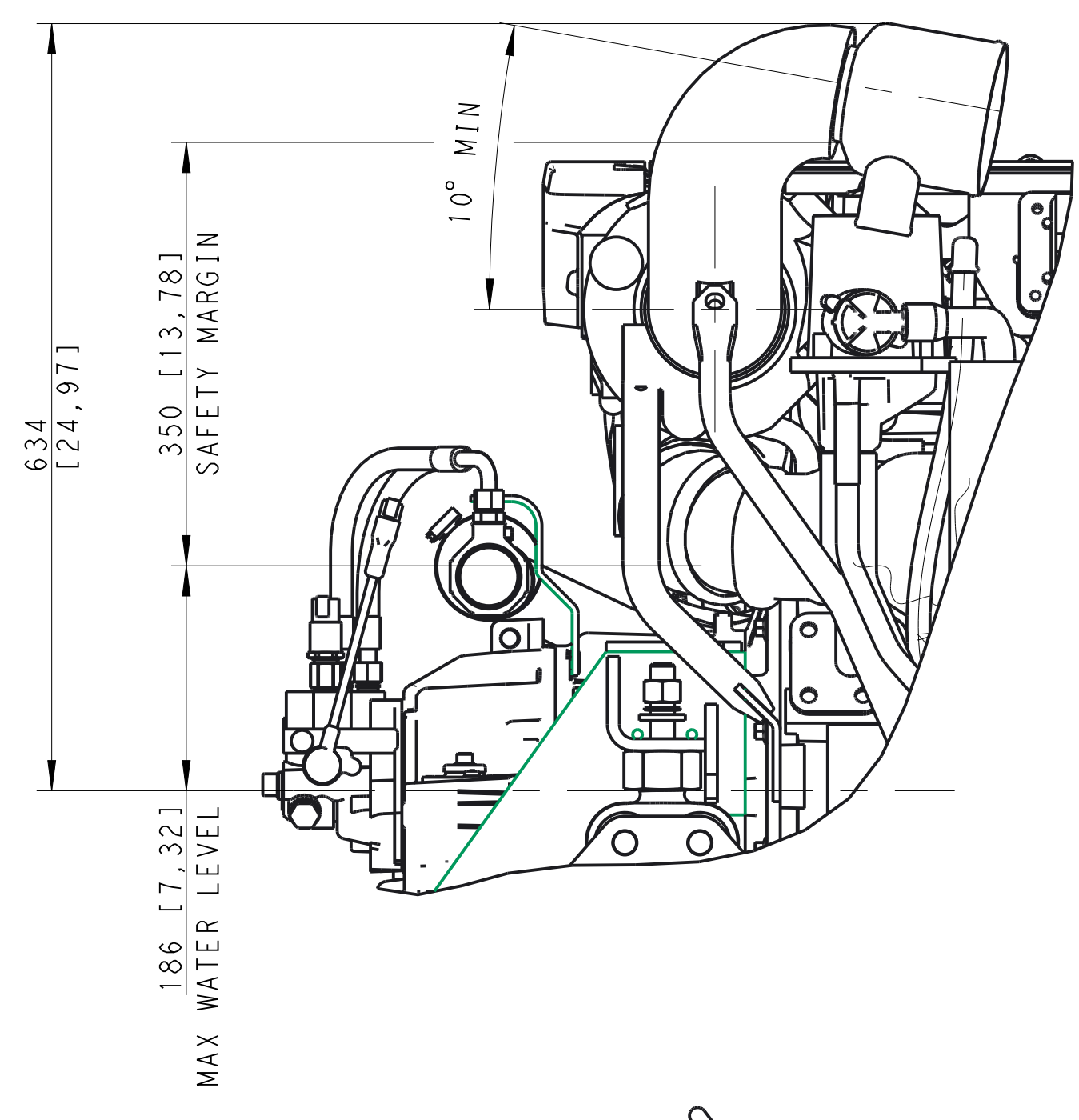
D4 AND D6 UP TO D6-380
A GEARBOXES, STD EXHAUST BEND



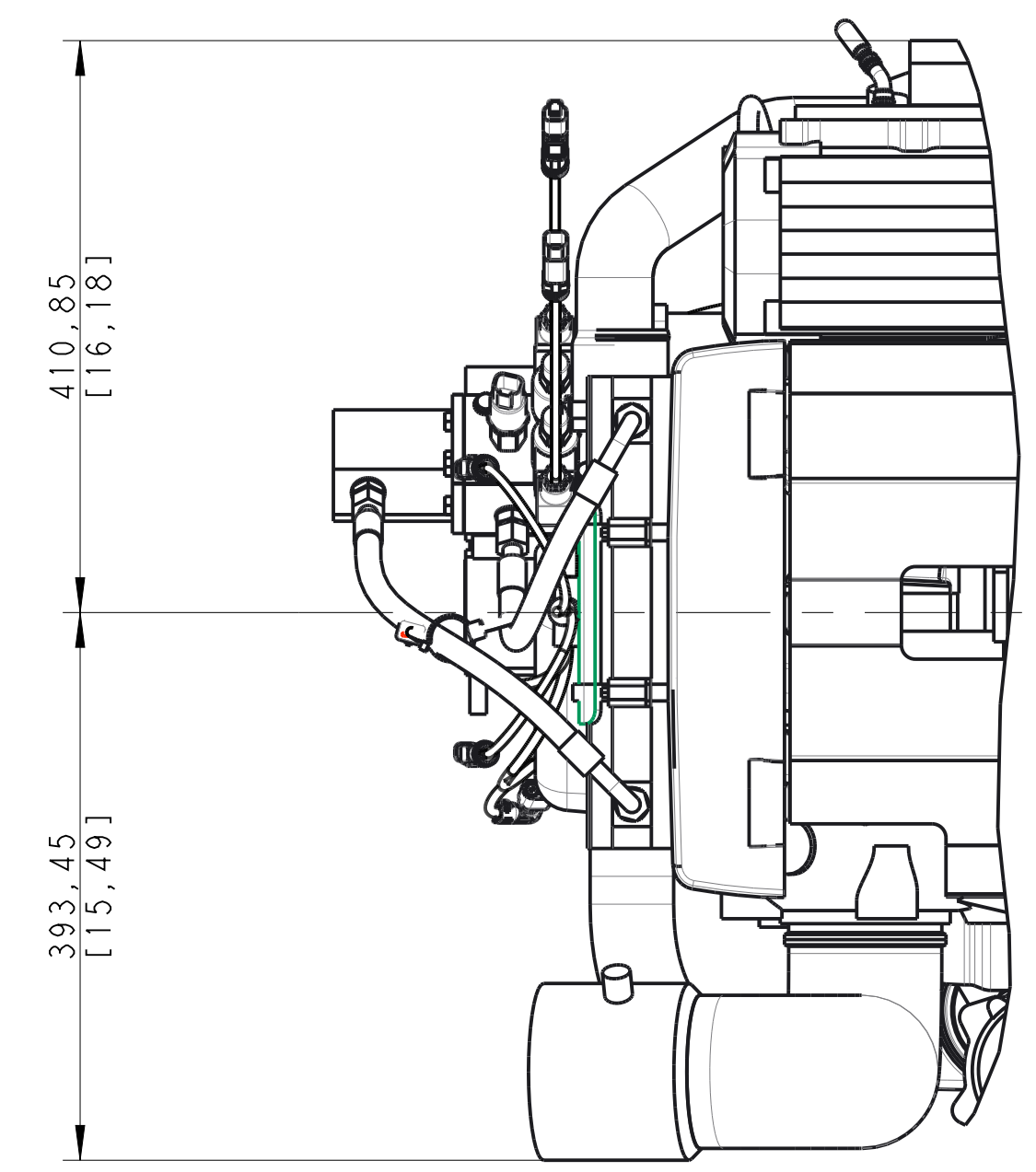
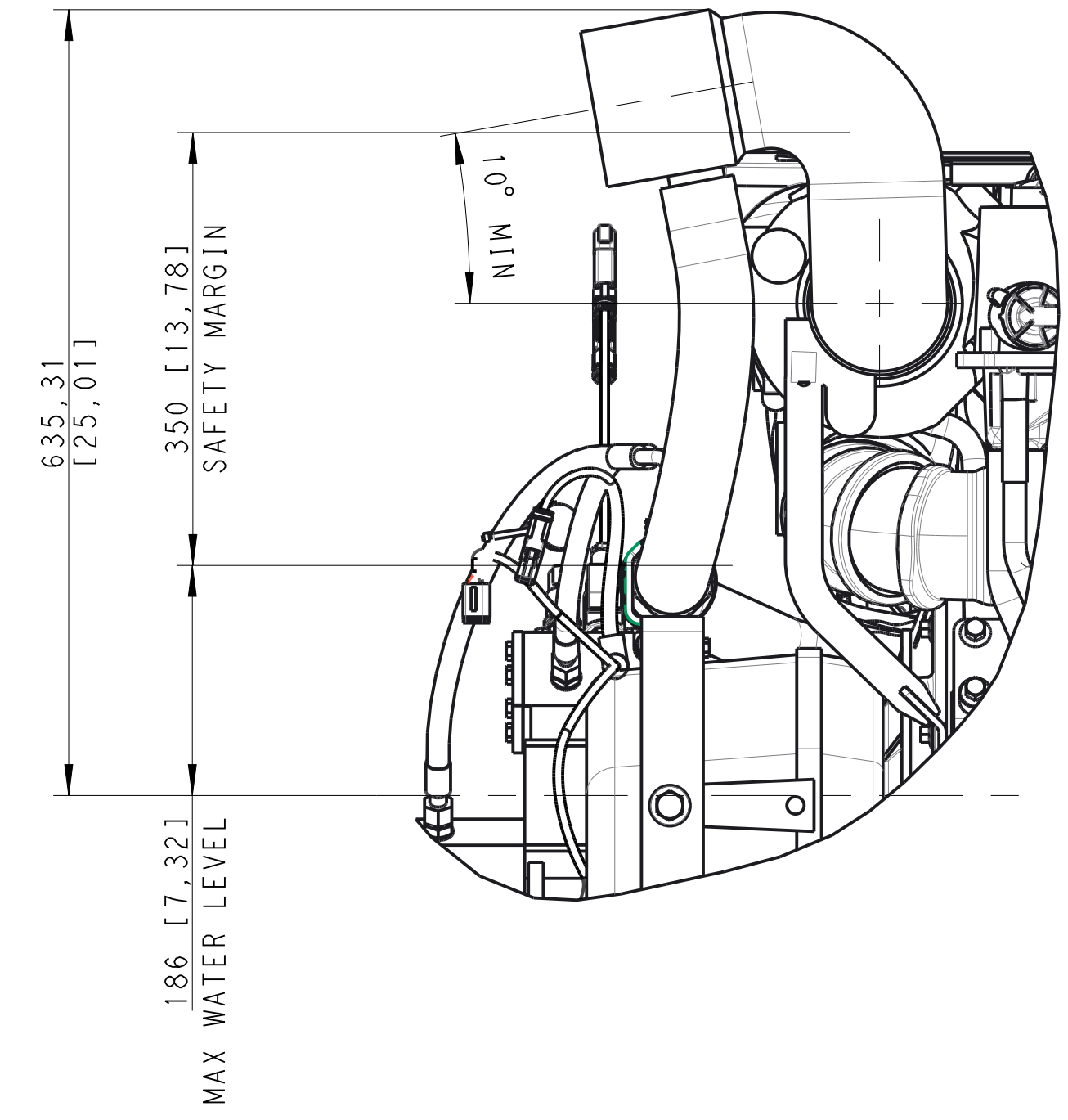
D4 AND D6 UP TO D6-380
A GEARBOXES, EXHAUST RISER

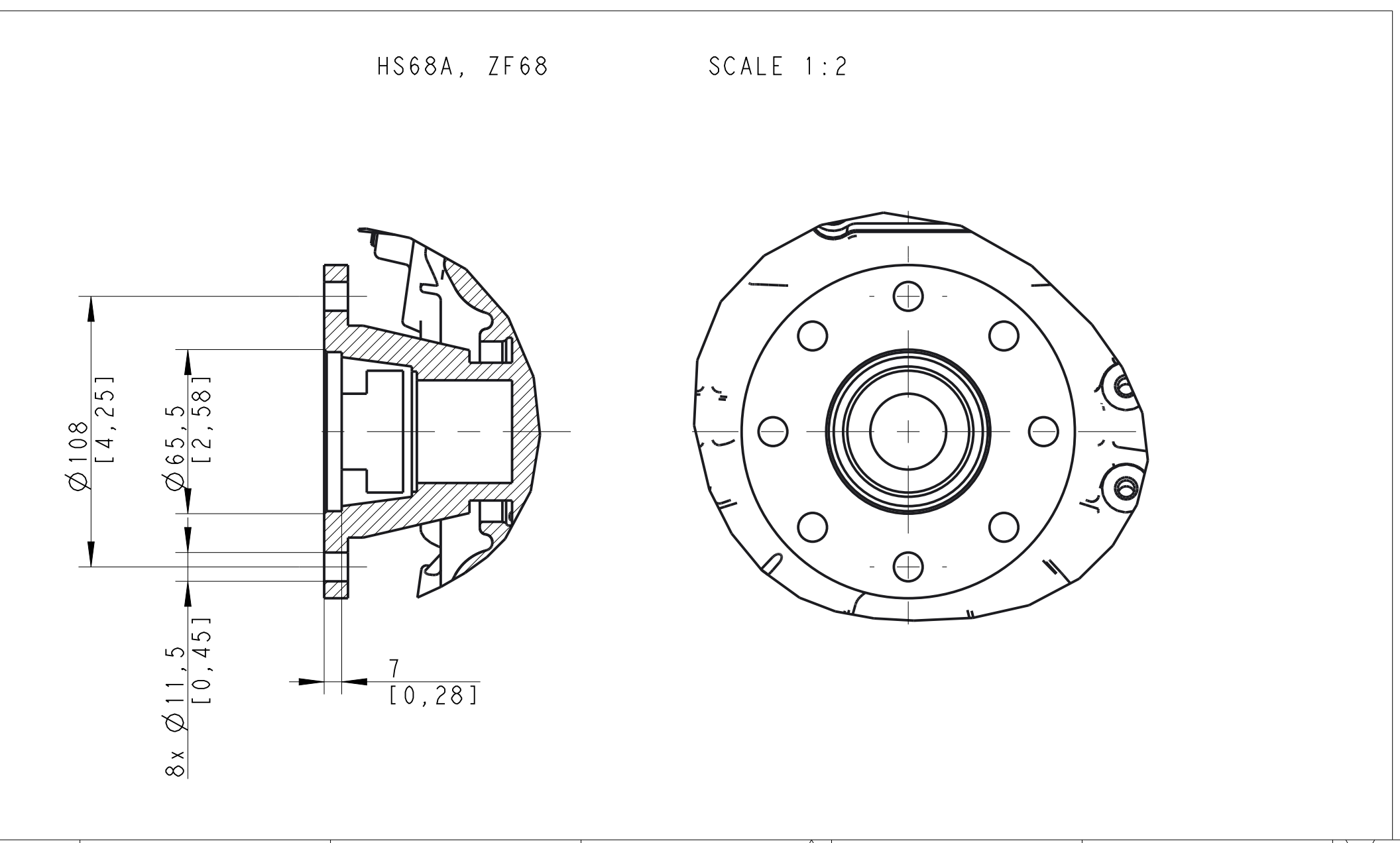
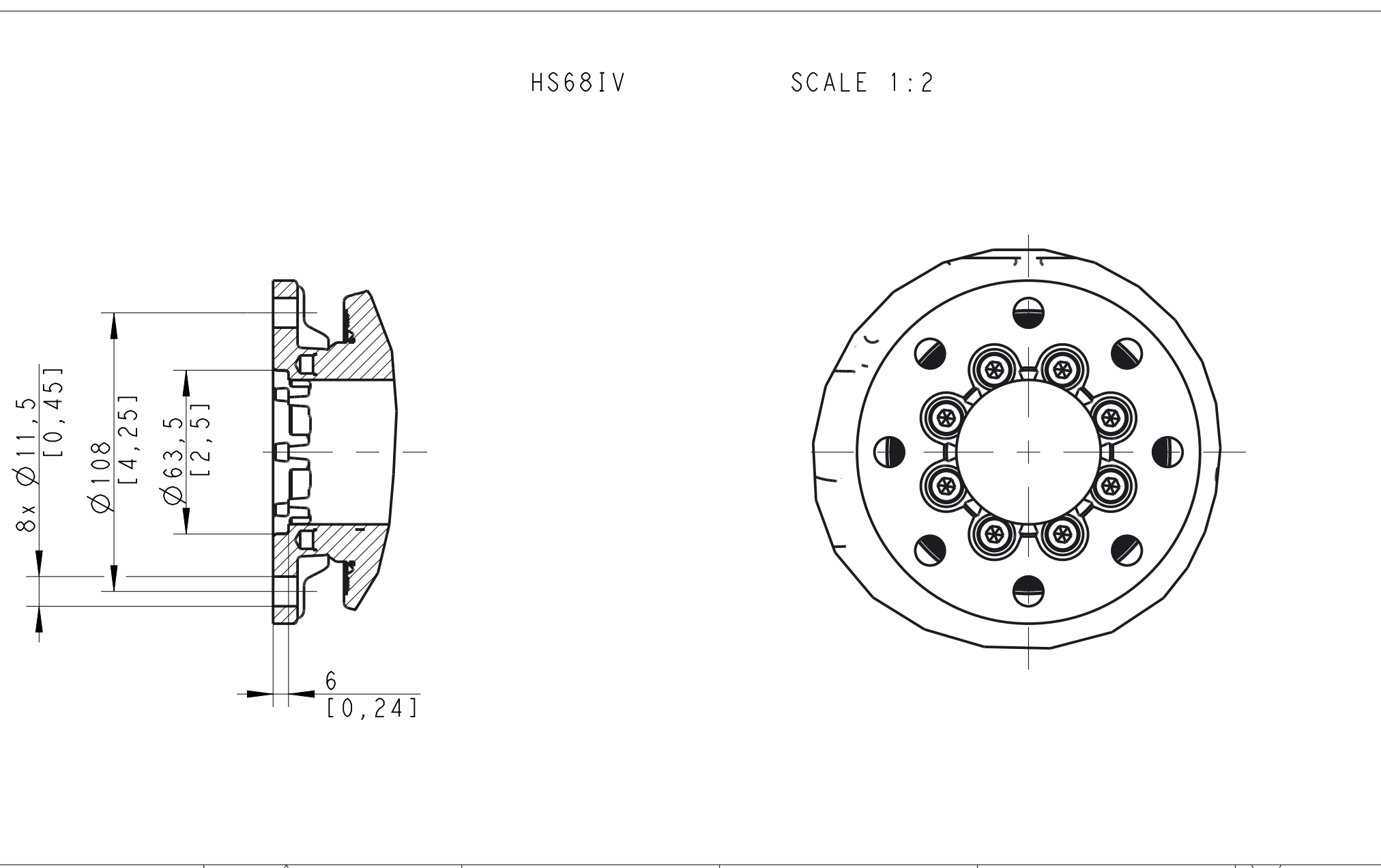
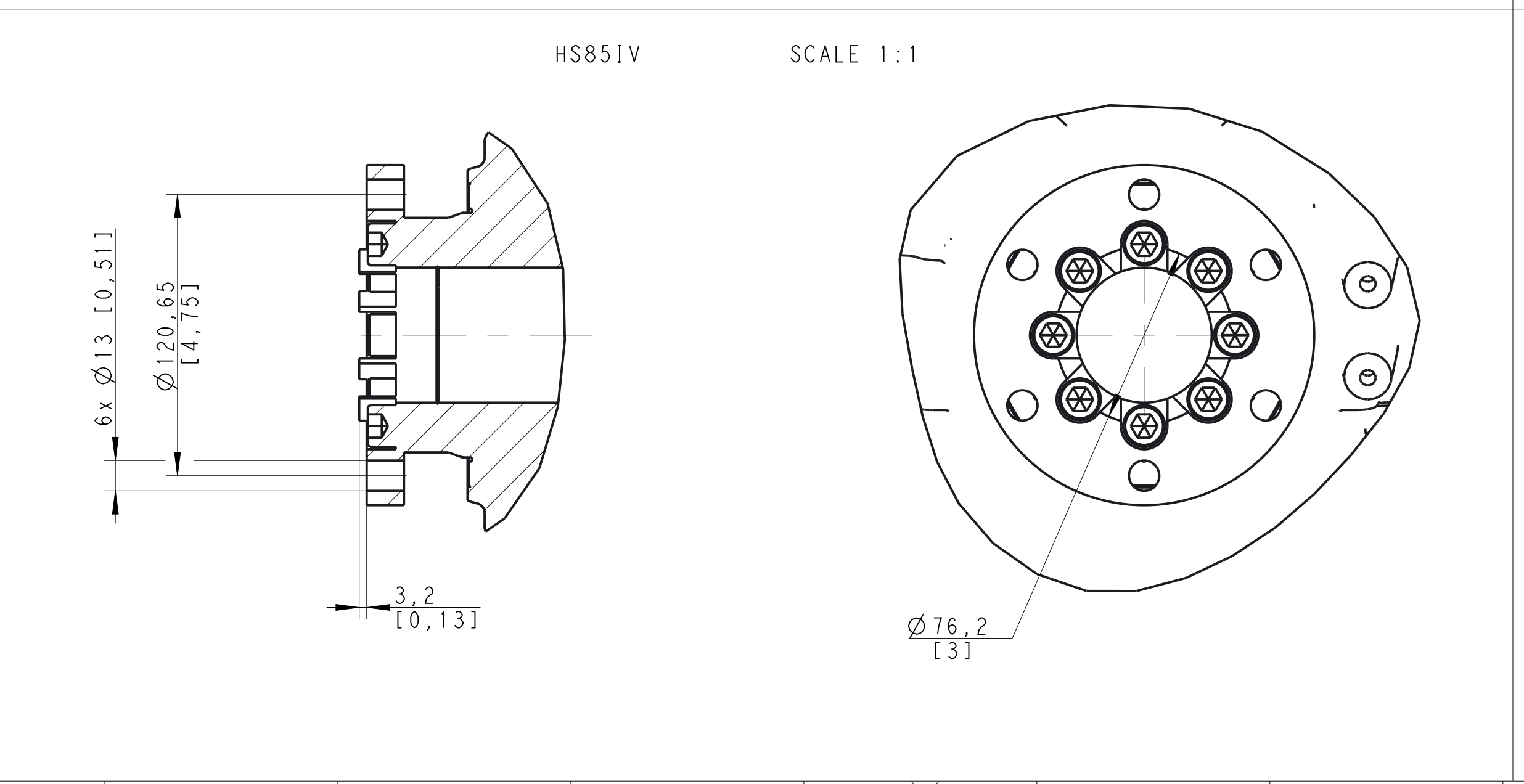
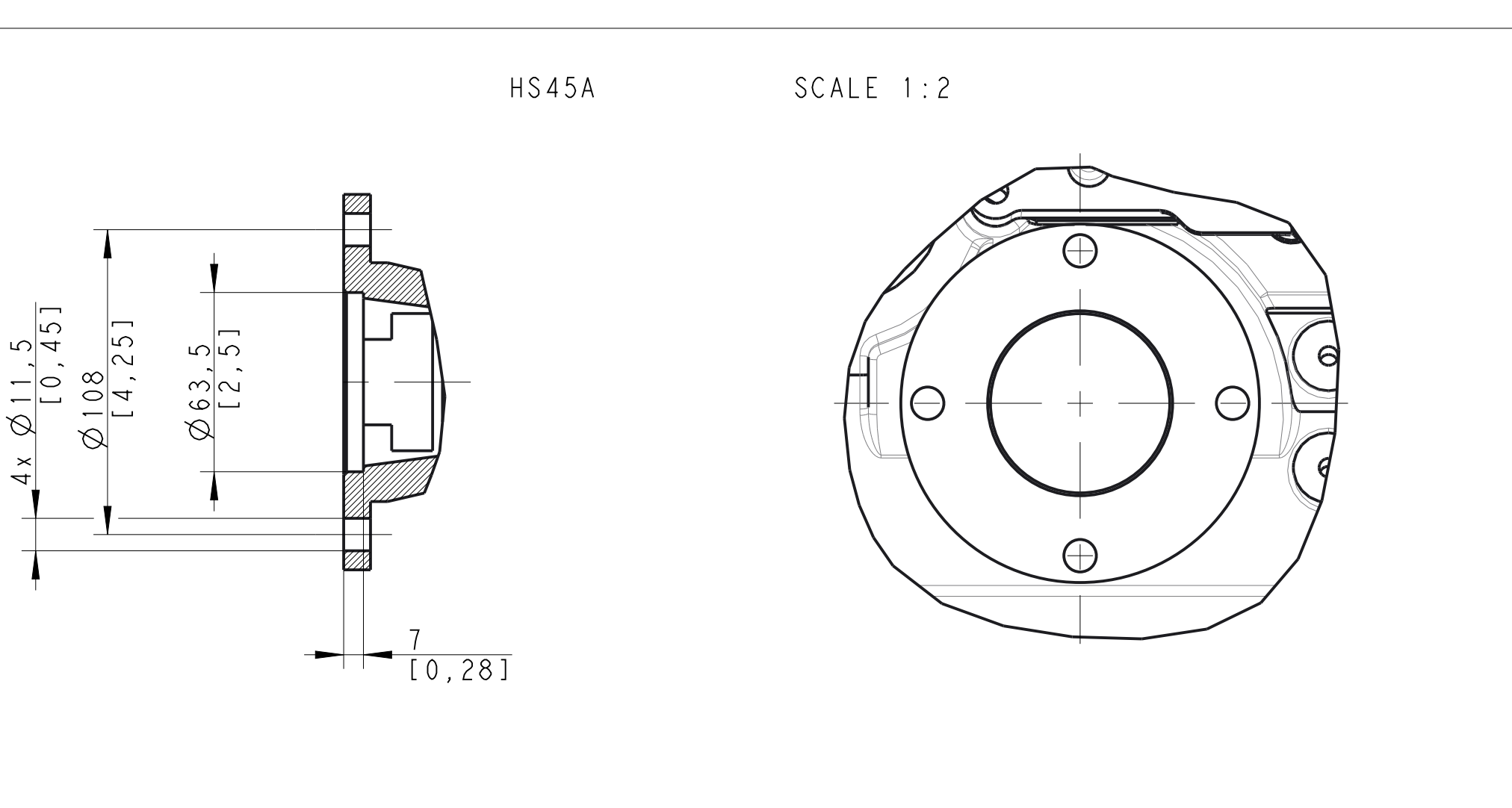
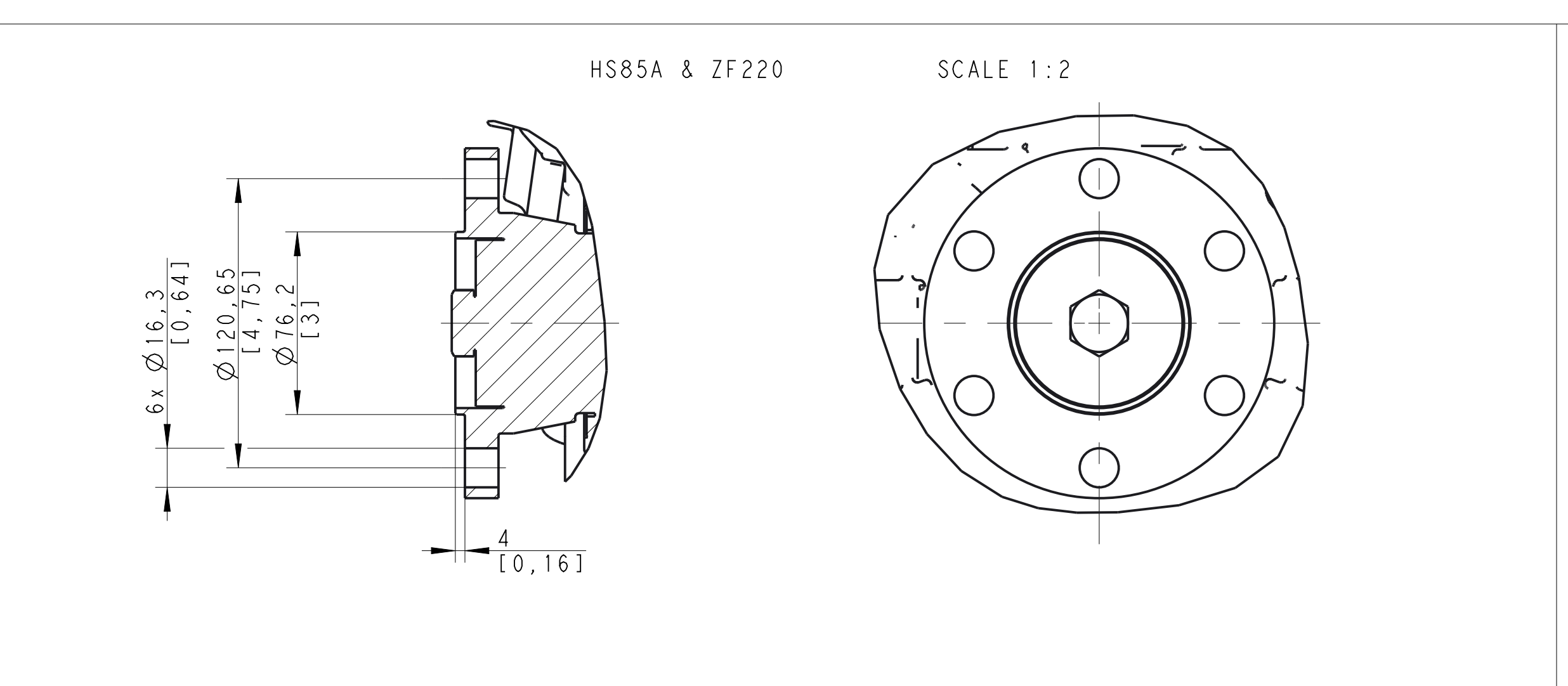
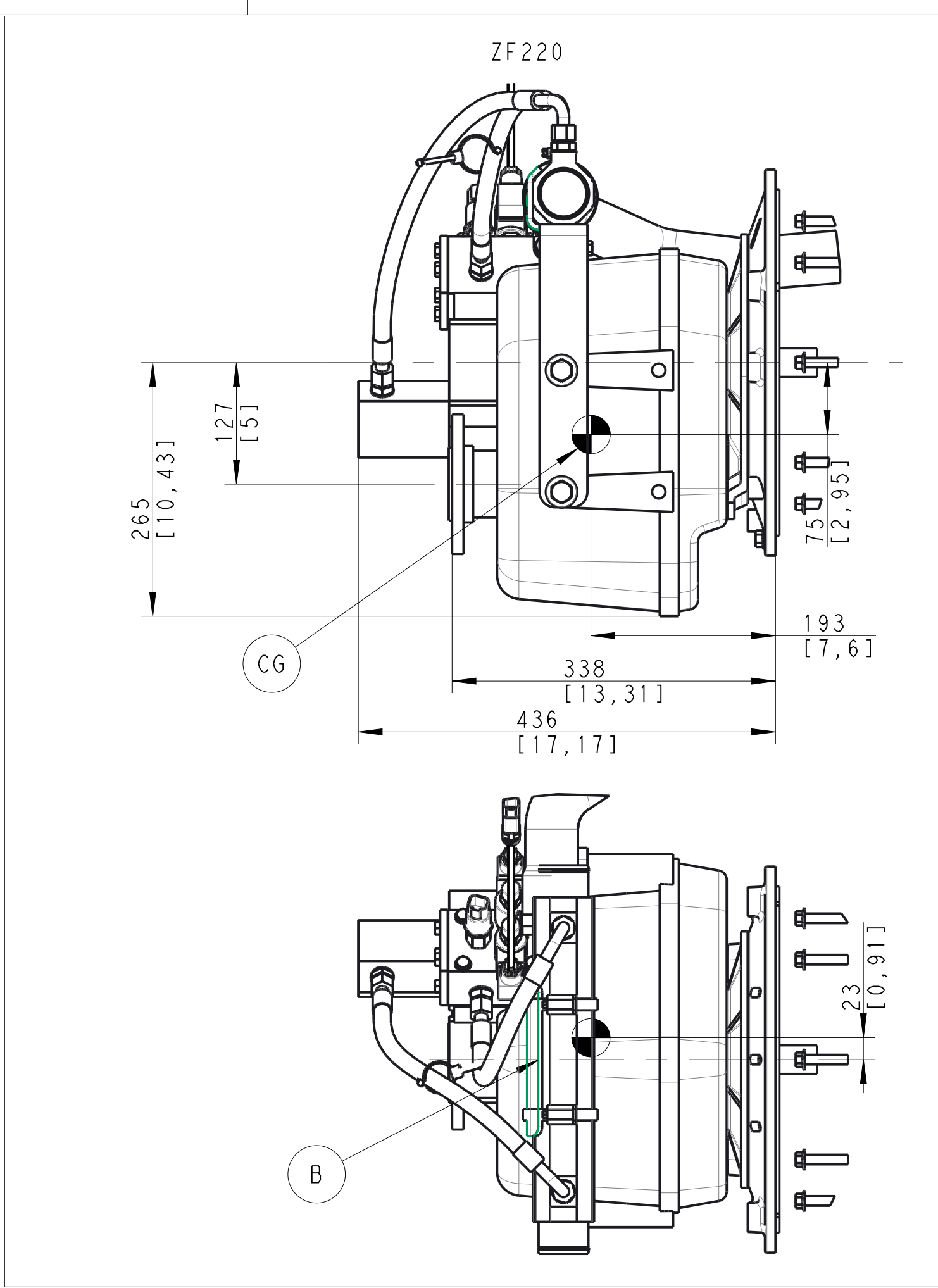
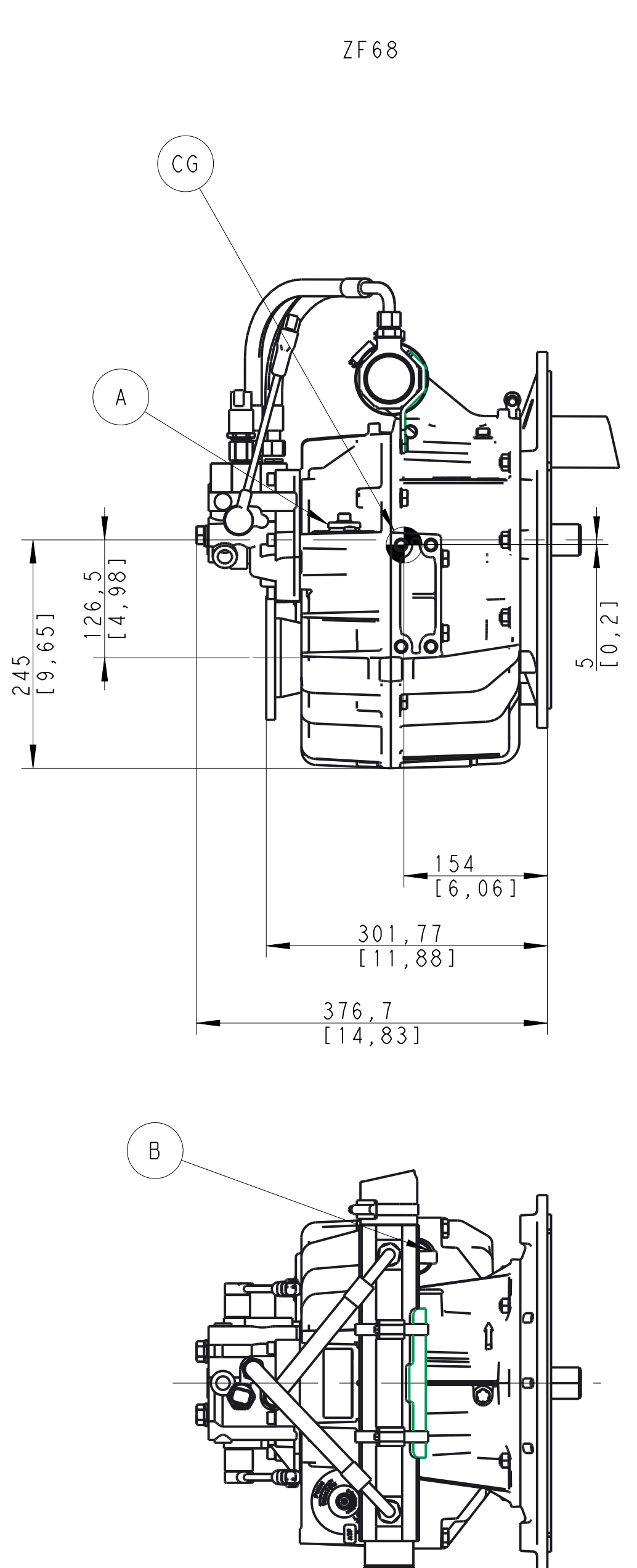
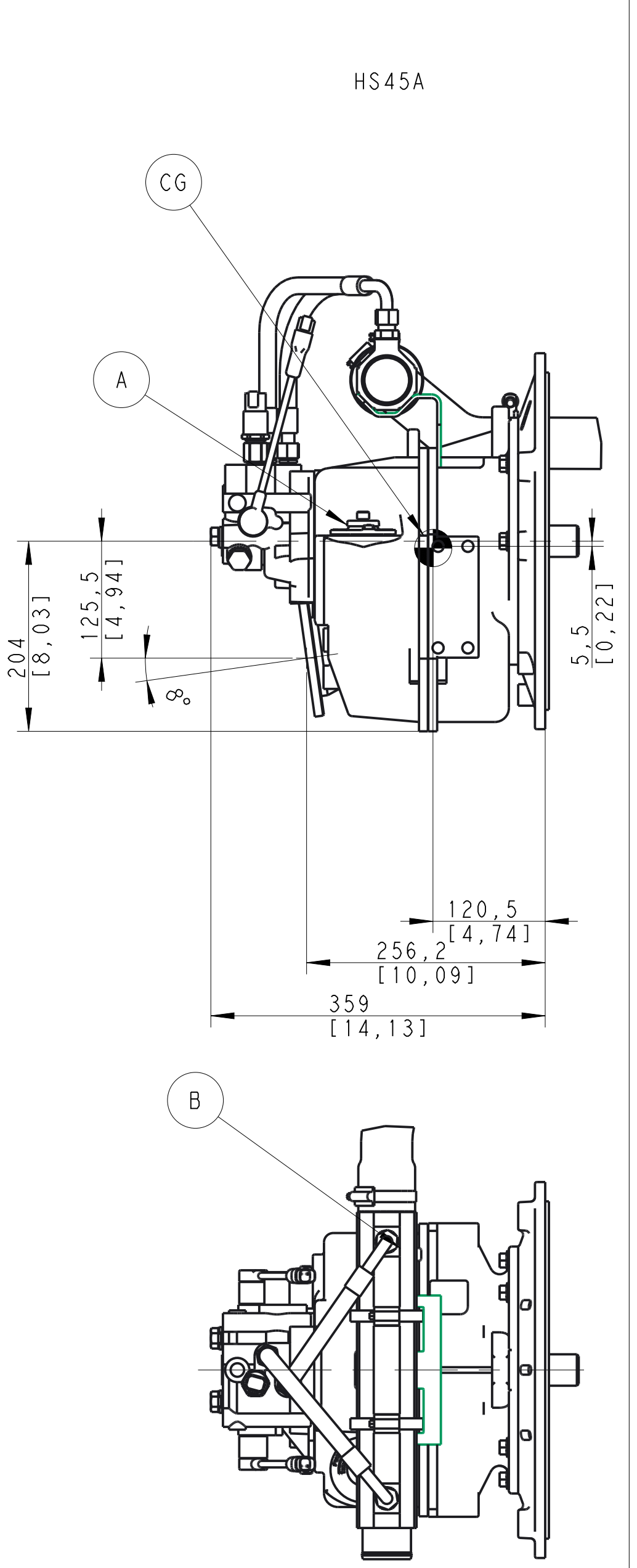
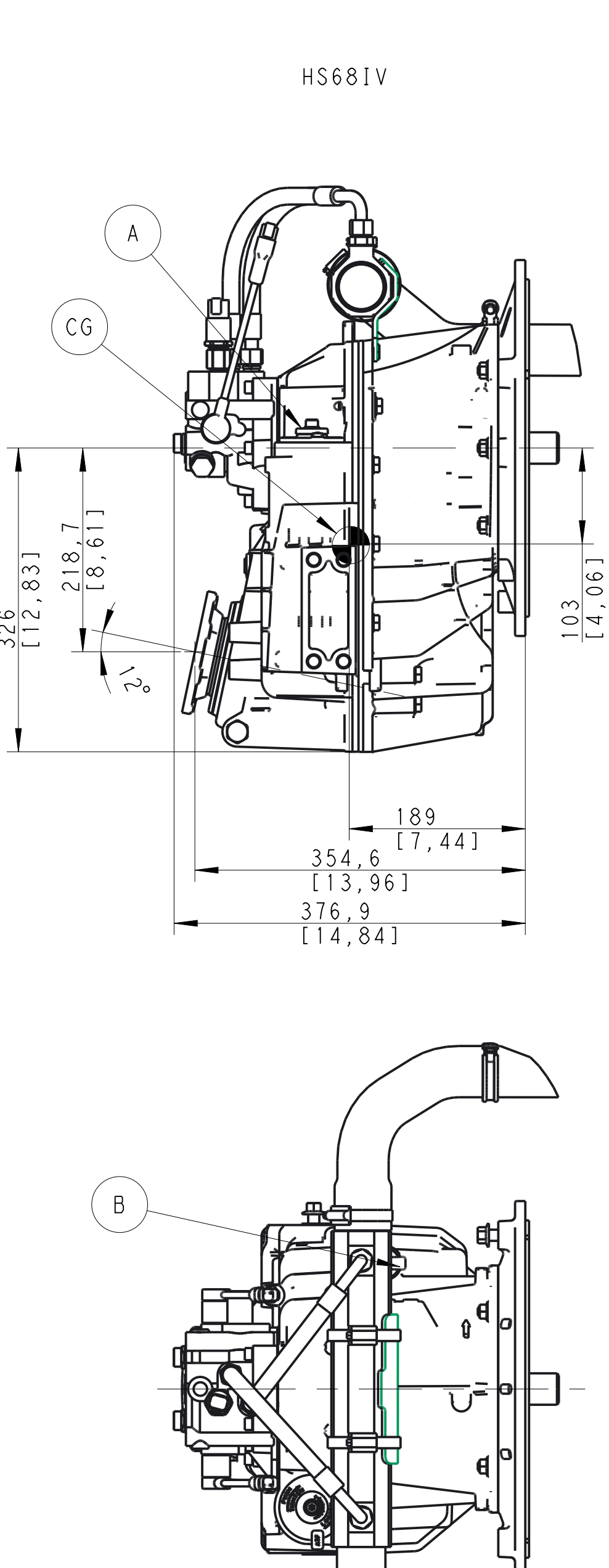
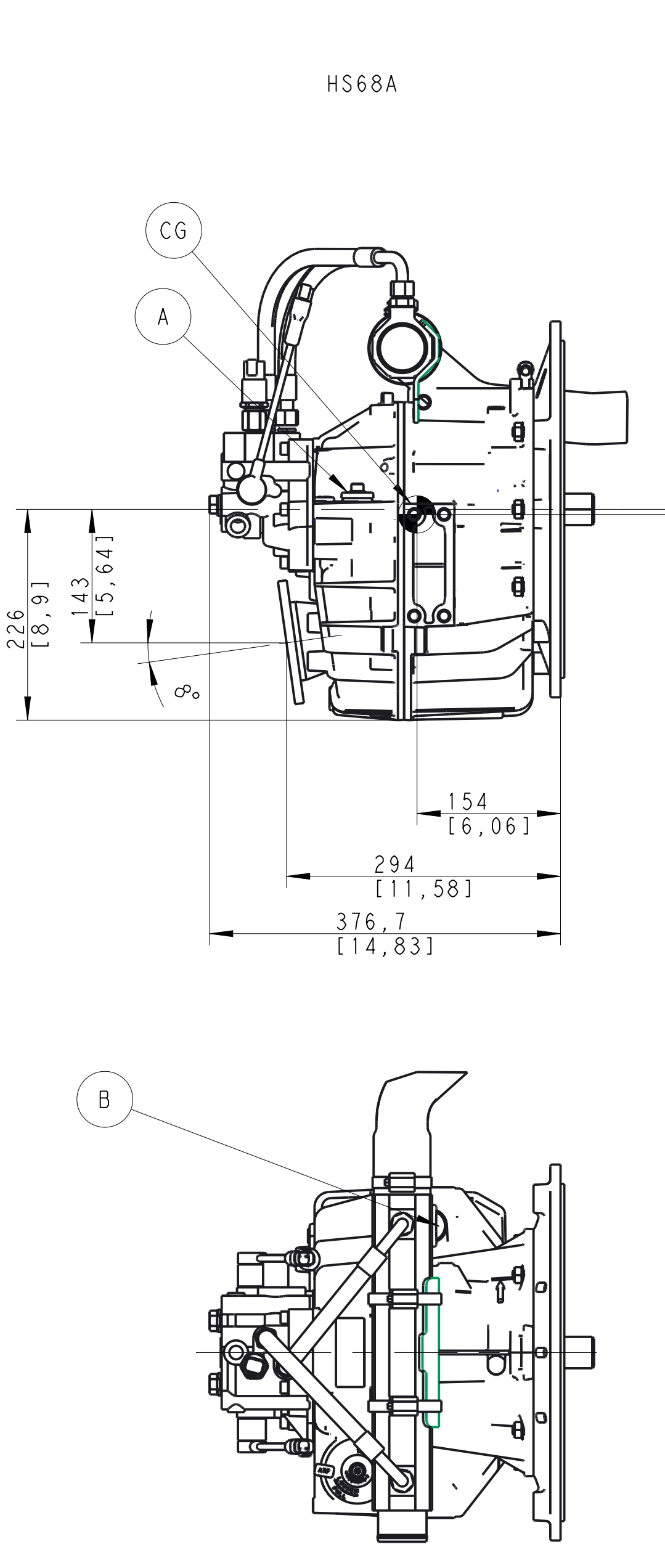
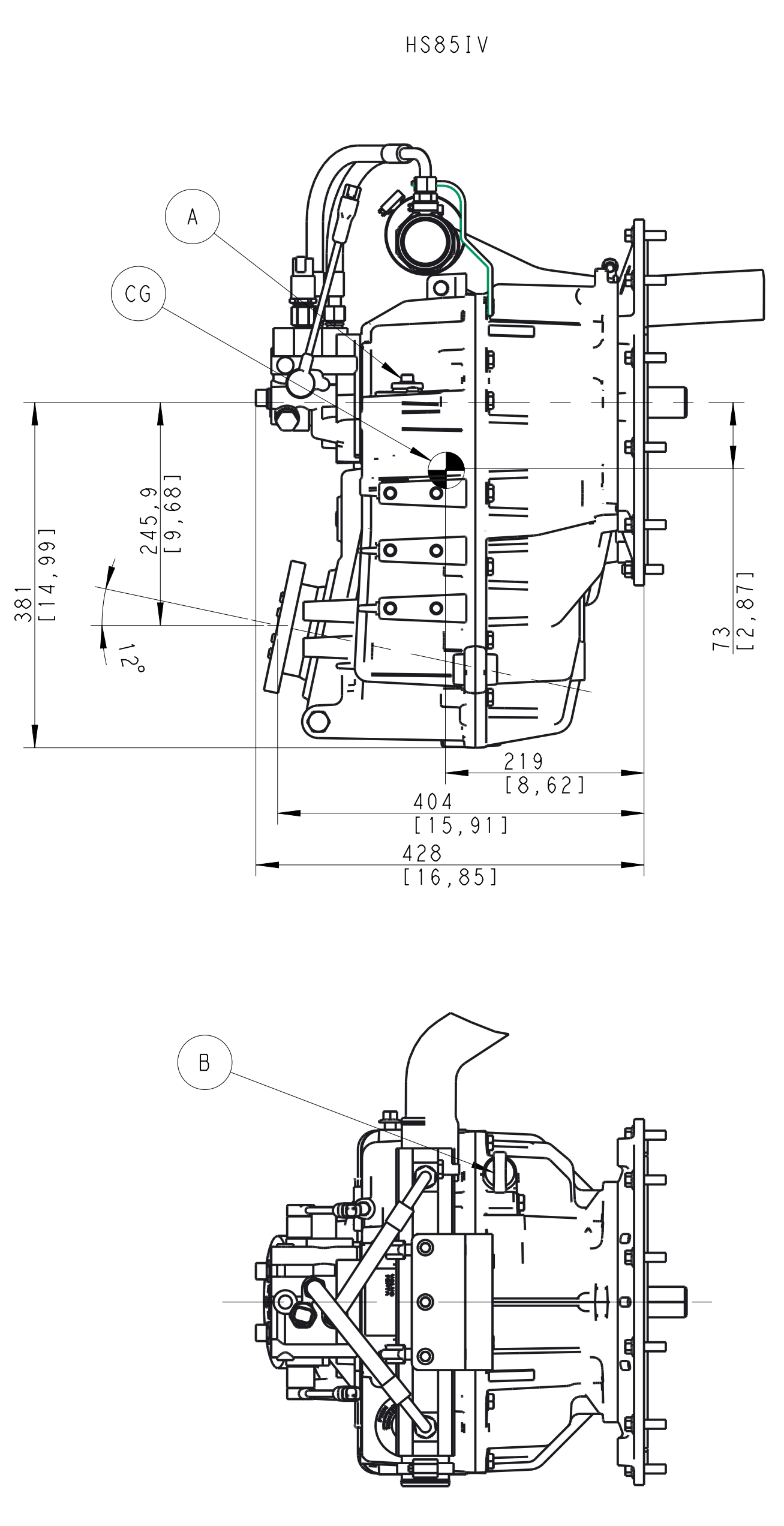
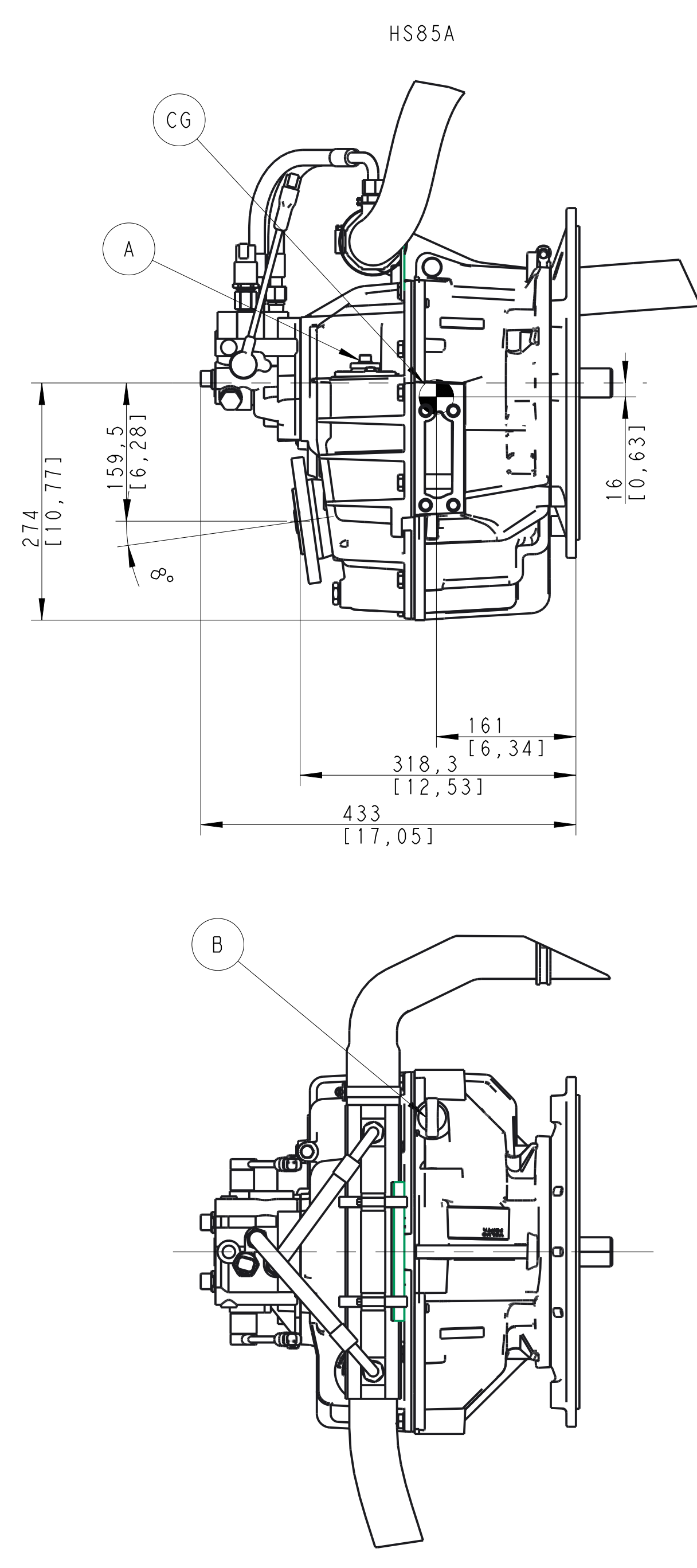


D6 UP TO D6-380
IV, EXHAUST RISER



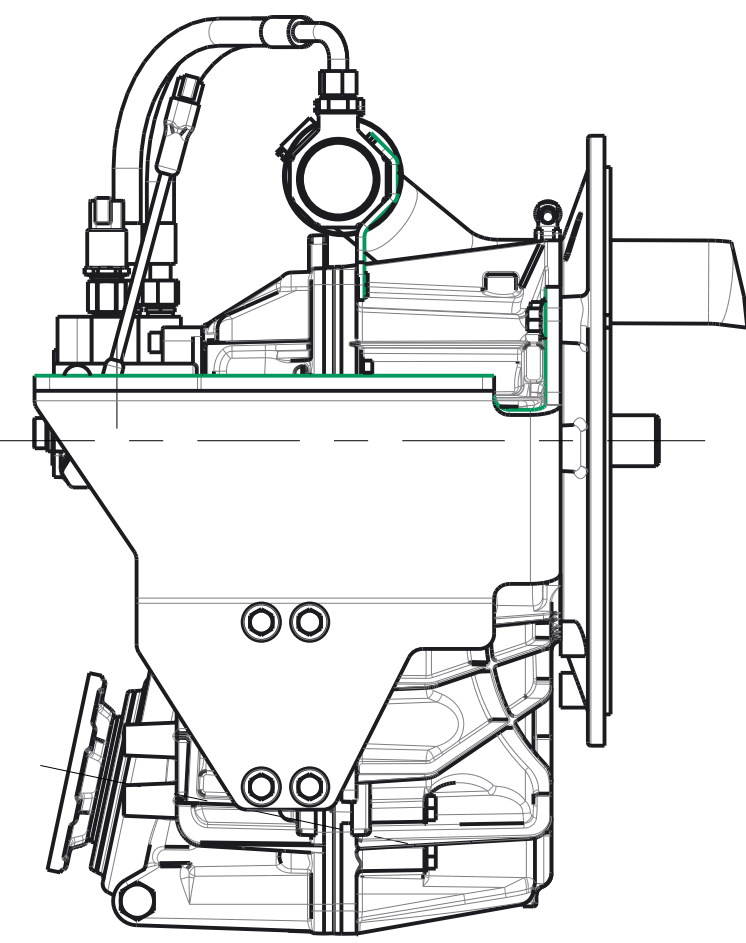
D4 AND D6 UP TO D6-380
ZF GEARBOXES, EXHAUST RISER



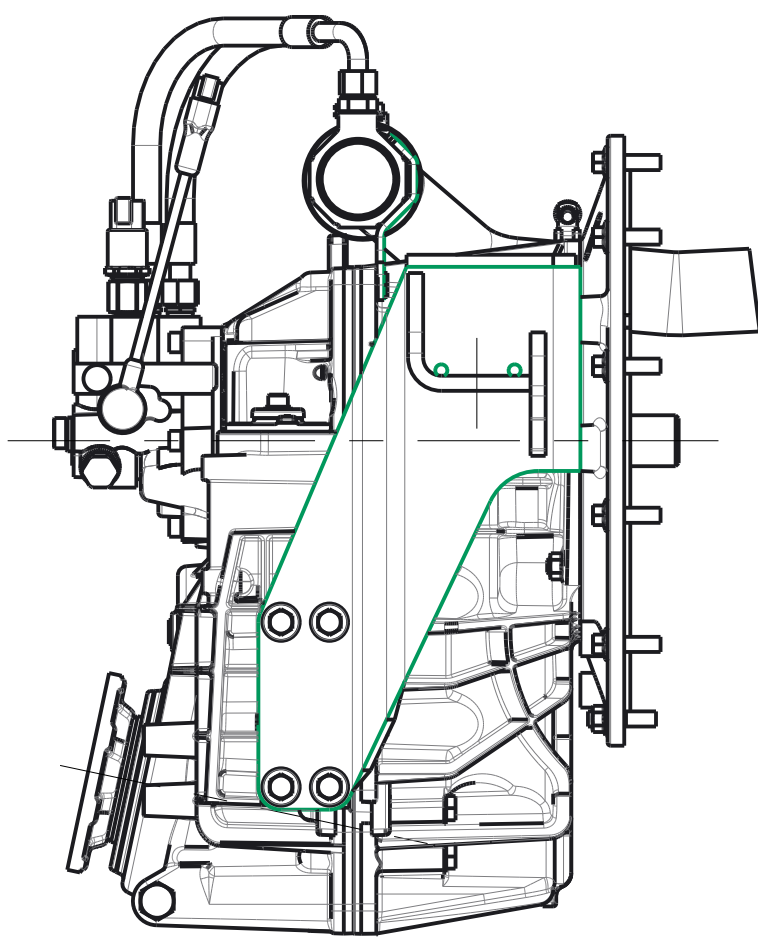


- (A) OIL FILTER (UNDER COVER)
- (B) OIL DIP-STICK
- (CG) CENTRE OF GRAVITY

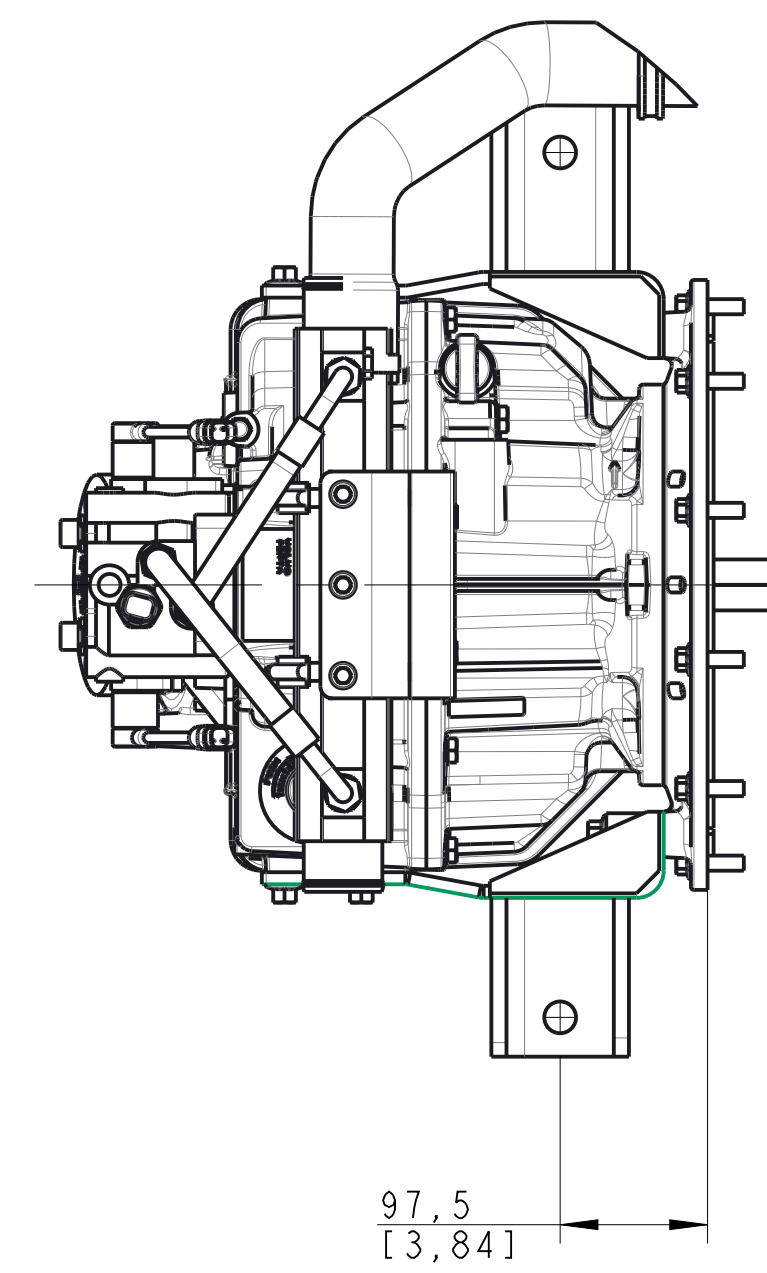
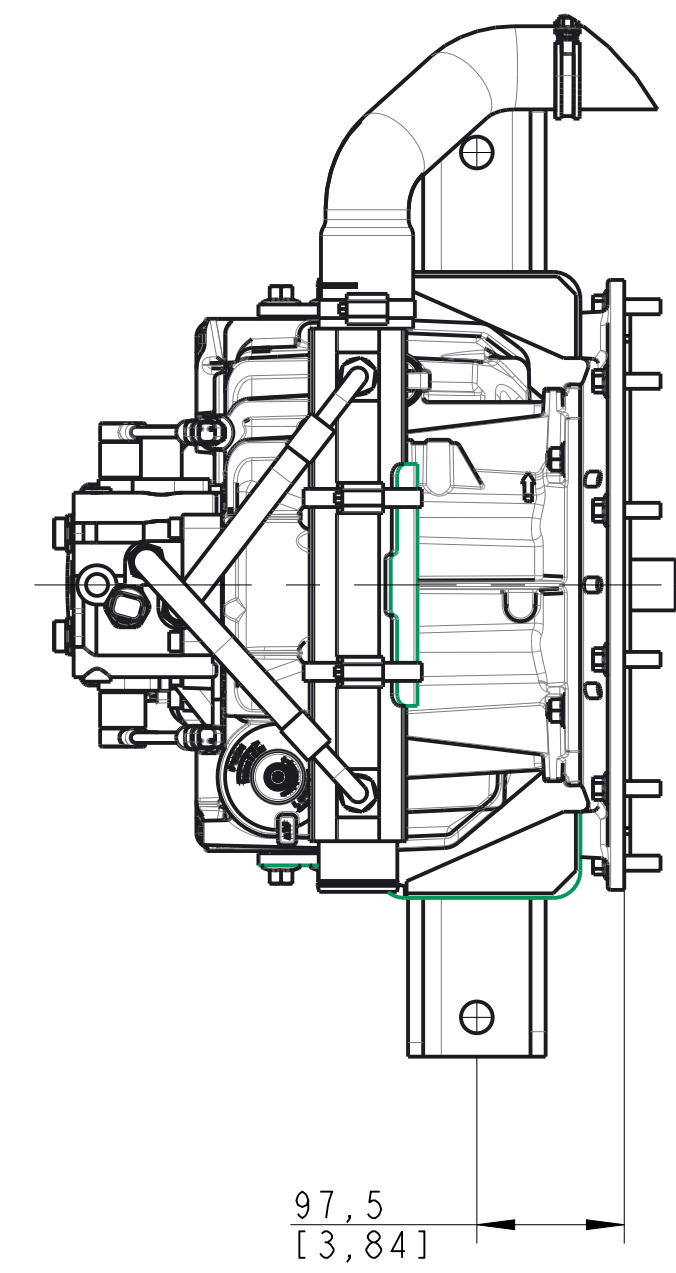
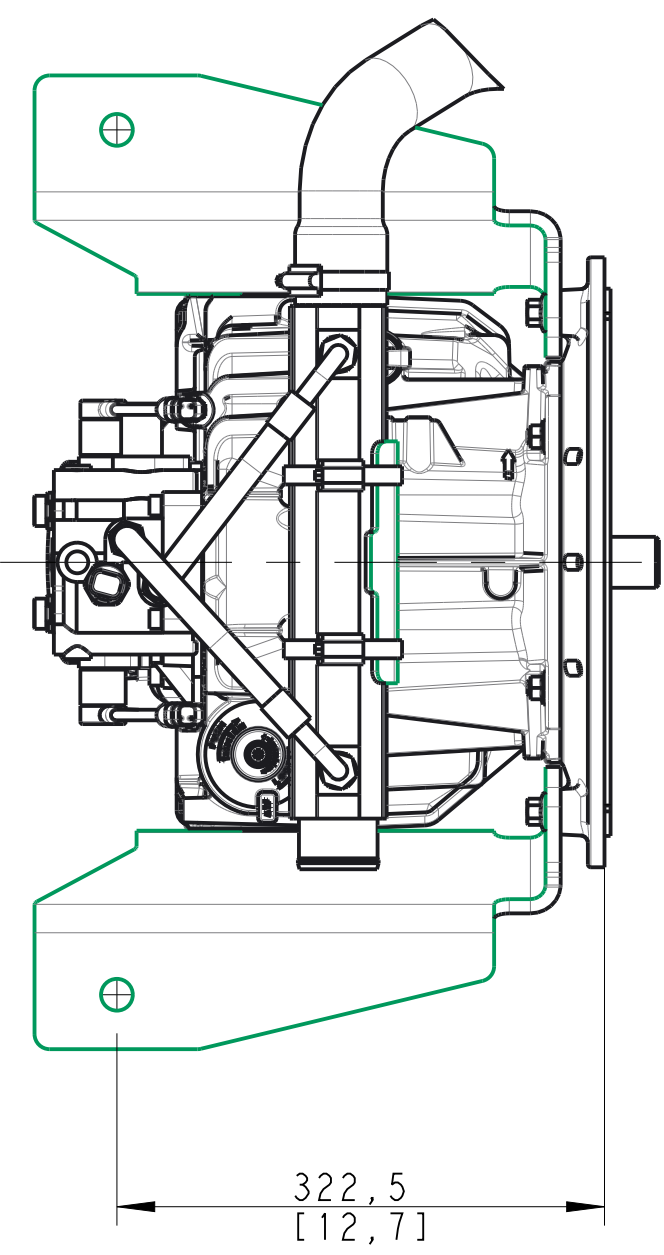
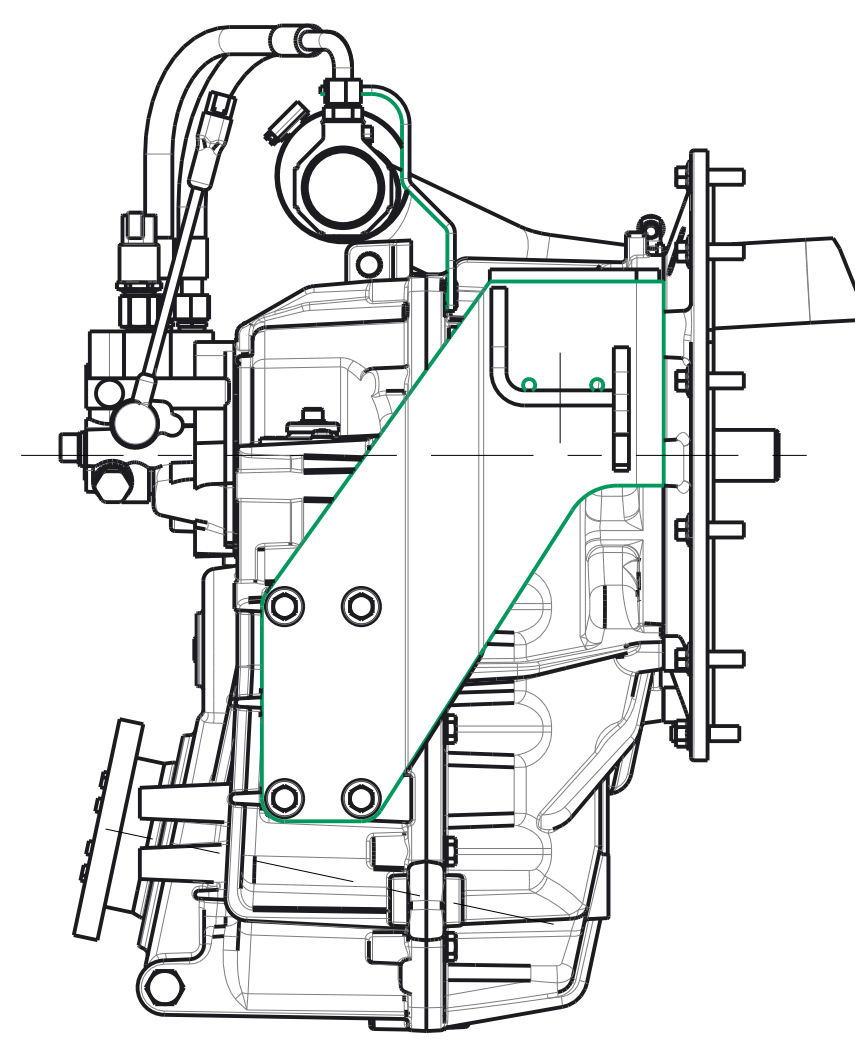
HS851V D4



HS681V D6

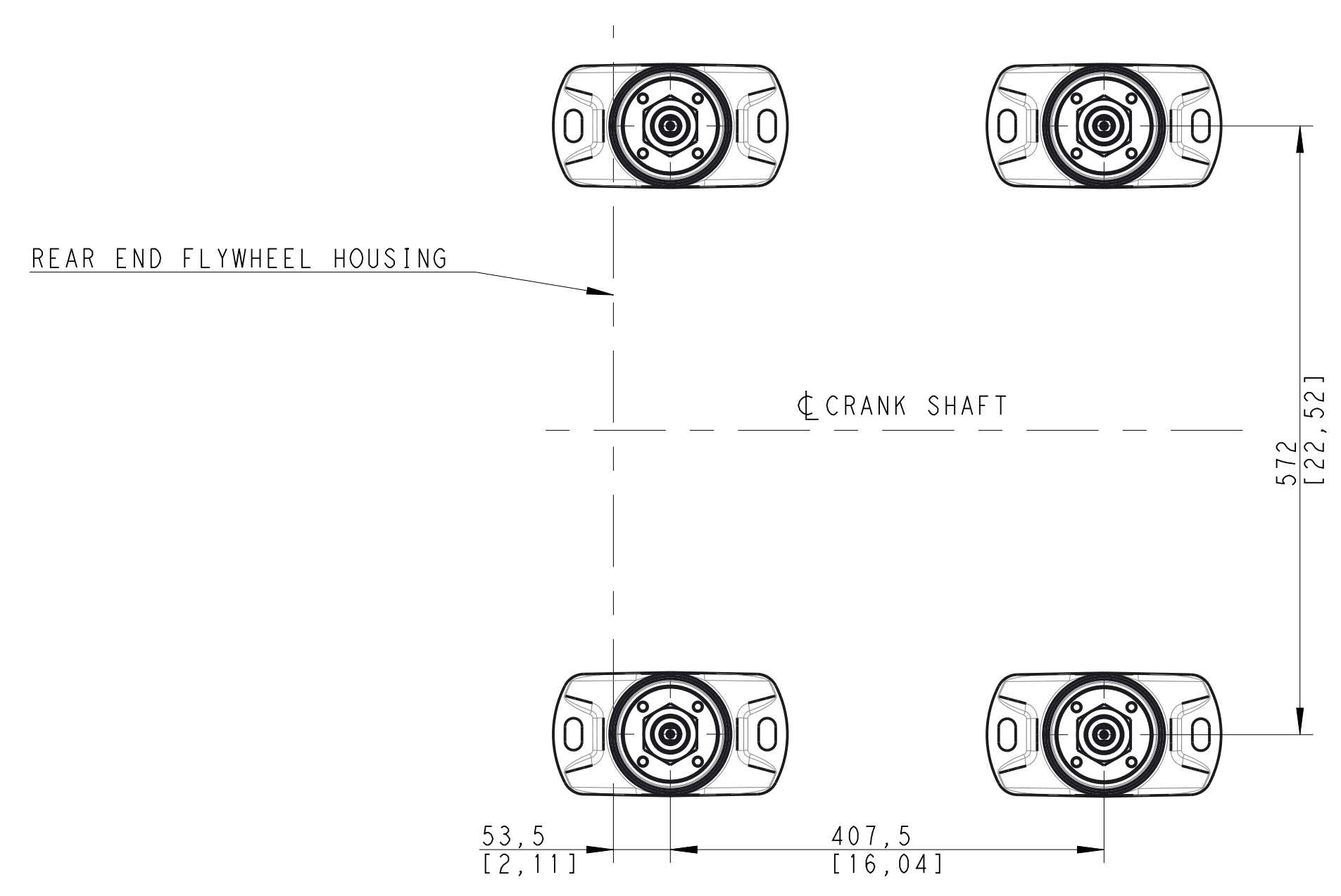


HS851V D4 & D6

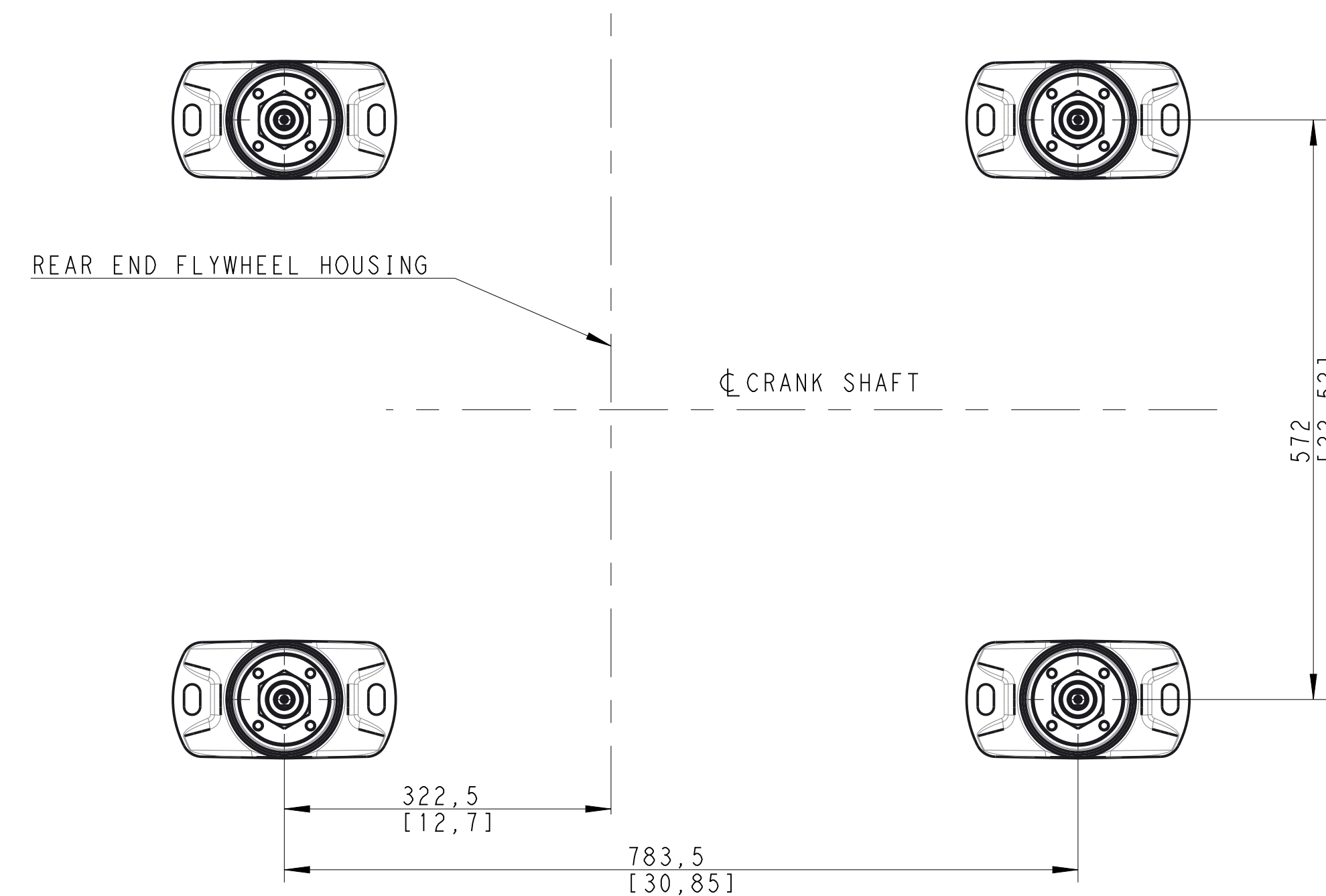


<p>The copying, distribution and utilization of this document as well as the communication of its contents to other persons without the express written consent of the copyright holder is prohibited. Offenders will be held liable for payment of damages. All rights reserved in the event of the grant of a patent, utility model or ornamental design registration.</p> <p>VOLVO PENTA</p>	<p>SYMBOLS, DESIGNATIONS AND GENERAL DRAWING METHODS STD 101-0005</p>	
	<p>Document title INSTALLATION DRAWING D4/D6 GEARBOXES</p>	
	<p>Document type INSTALLATION DRAWING</p>	
	<p>Document No 23292848</p>	<p>Issue index 01</p>

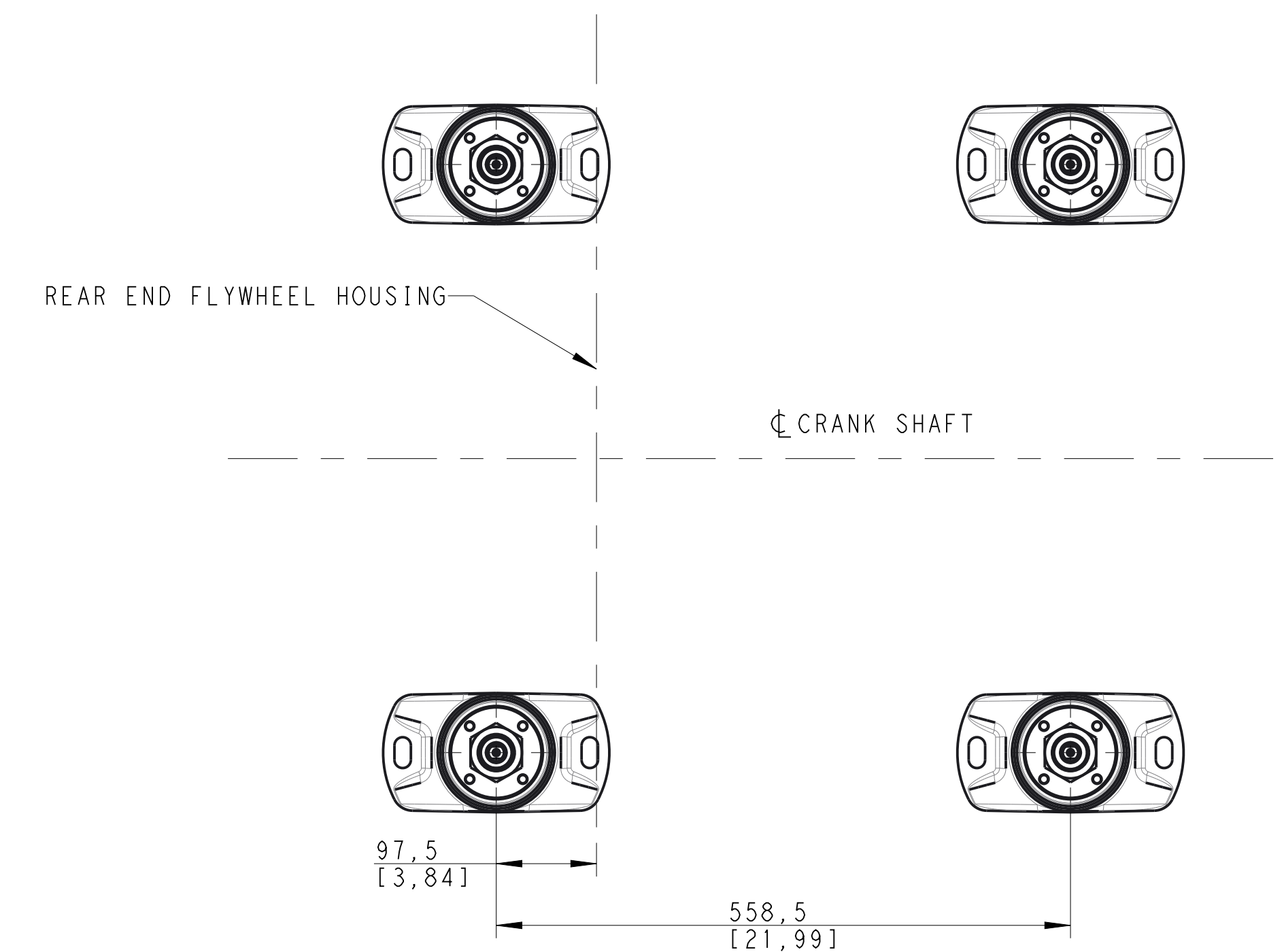
D4 WITH A AND ZF GEARBOXES



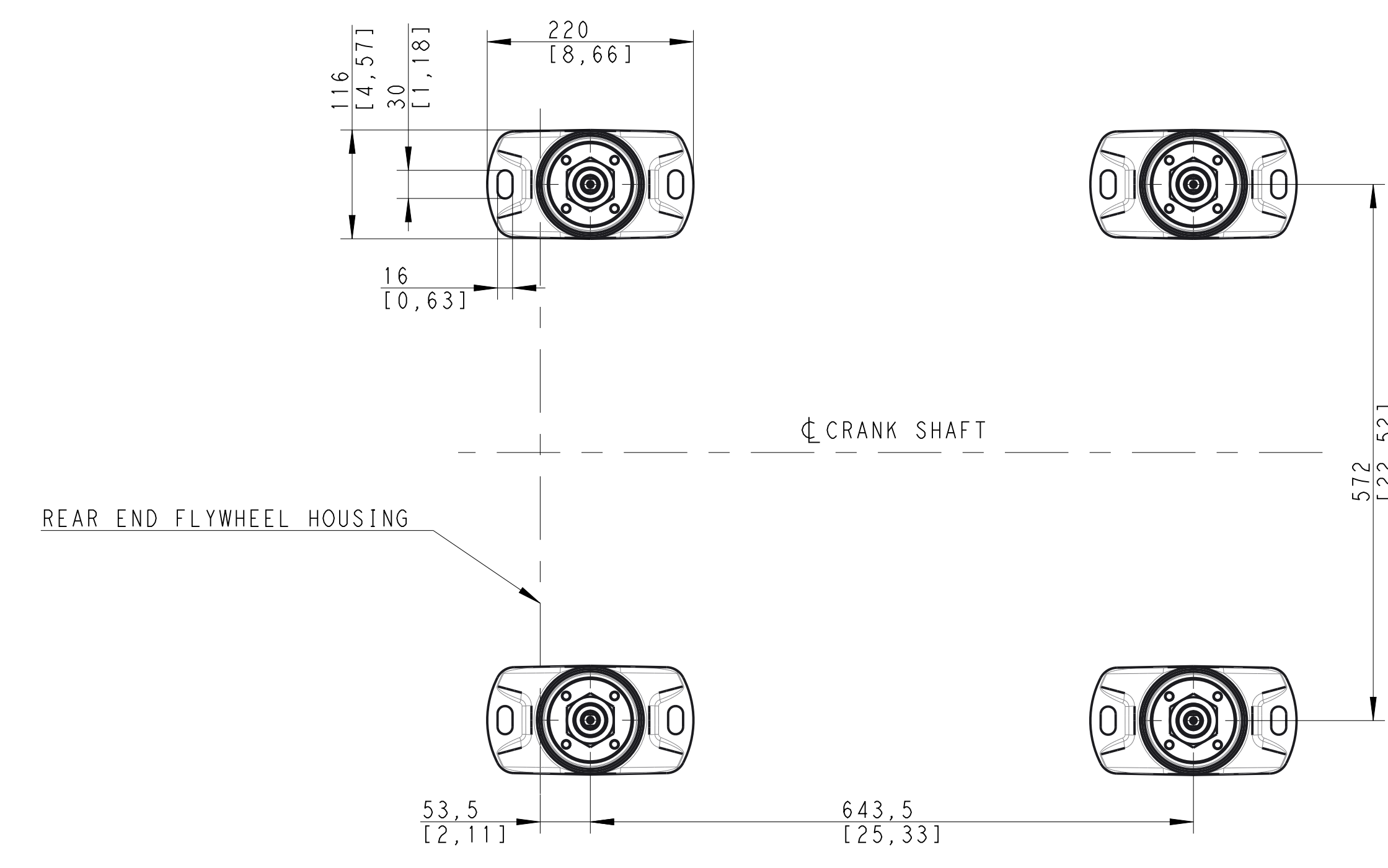
D4 WITH HS681V GEARBOXES



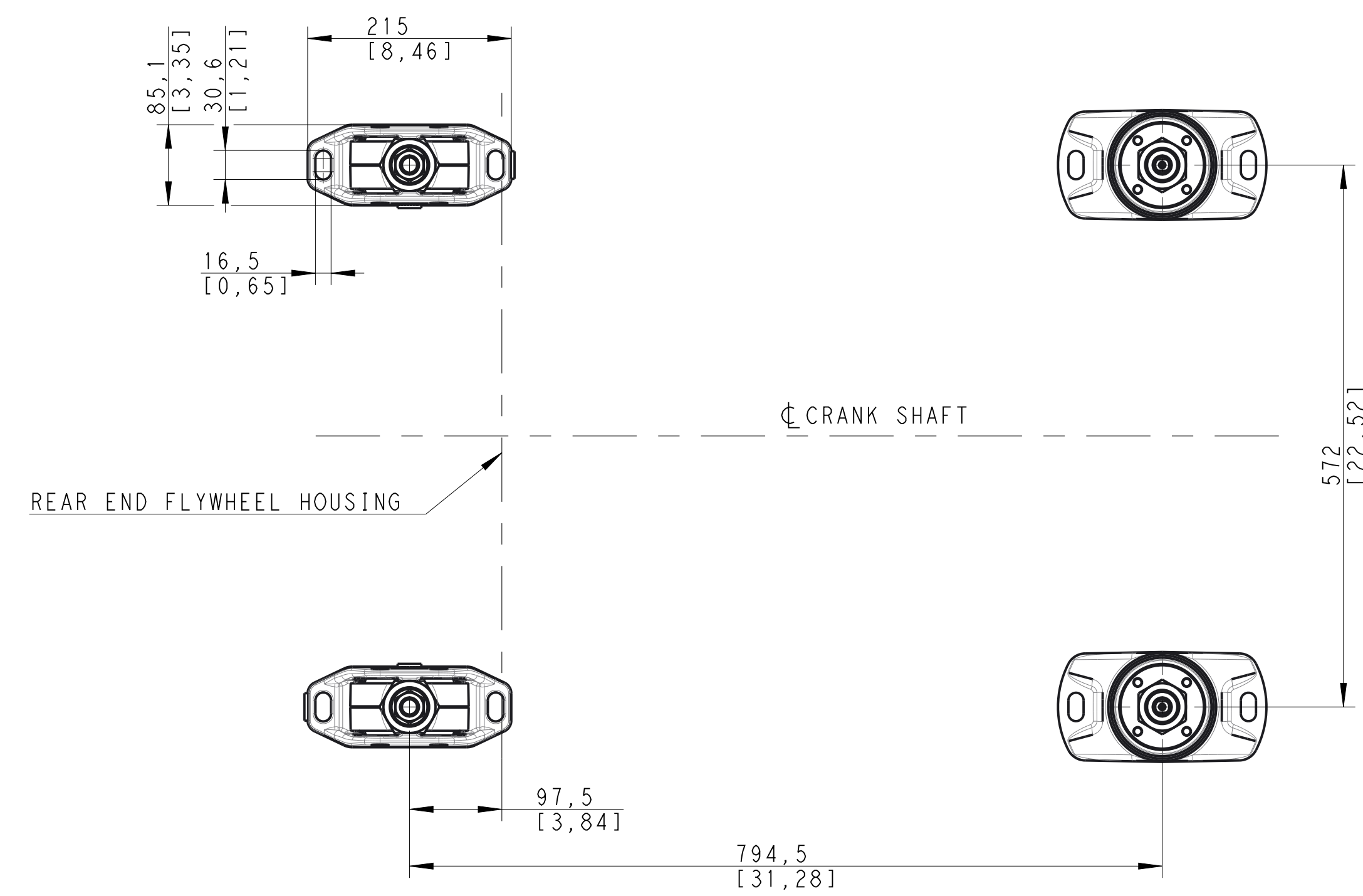
D4 WITH HS851V



D6 WITH A AND ZF GEARBOXES



D6 WITH -IV GEARBOXES



<p>The copying, distribution and utilization of this document as well as the communication of its contents to other persons without the prior written consent of the copyright holder is prohibited. Offenders will be held liable for damages. All rights reserved in the event of the grant of a patent, utility model or ornamental design registration.</p> <p>VOLVO PENTA</p>	<p>SYMBOLS, DESIGNATIONS AND GENERAL DRAWING METHODS STD 101-0005</p>	<p>Document title INSTALLATION DRAWING D4/D6 GEARBOXES</p> <p>Document type INSTALLATION DRAWING Over: datum Document profile:</p> <p>Document No 23292848</p> <p>Issue index 01</p> <p>Sheet No 5(5)</p>
	<p>Document reference</p>	
	<p>Scale</p>	
	<p>Date</p>	